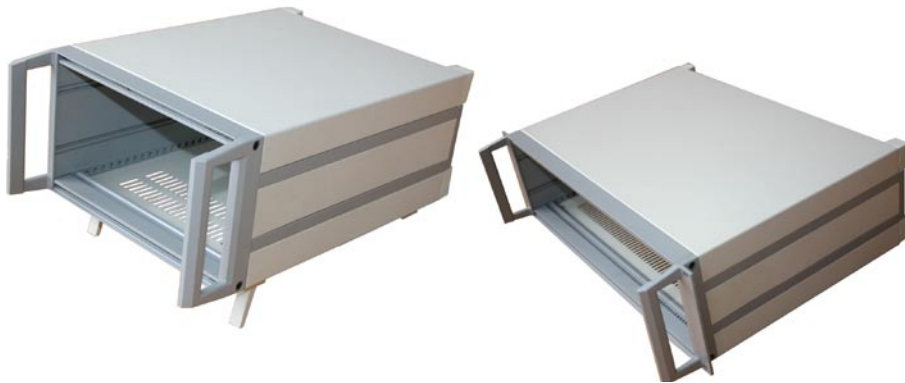


# 01A/B series



- Aluminum construction
- Top and bottom cover spaired plastic
- simple assembly
- Application from desktop to rack mount(type 01B)
- Custom colors available
- Wide range of enclosure size
- Special assembly sevicees

## Height/Width Chart

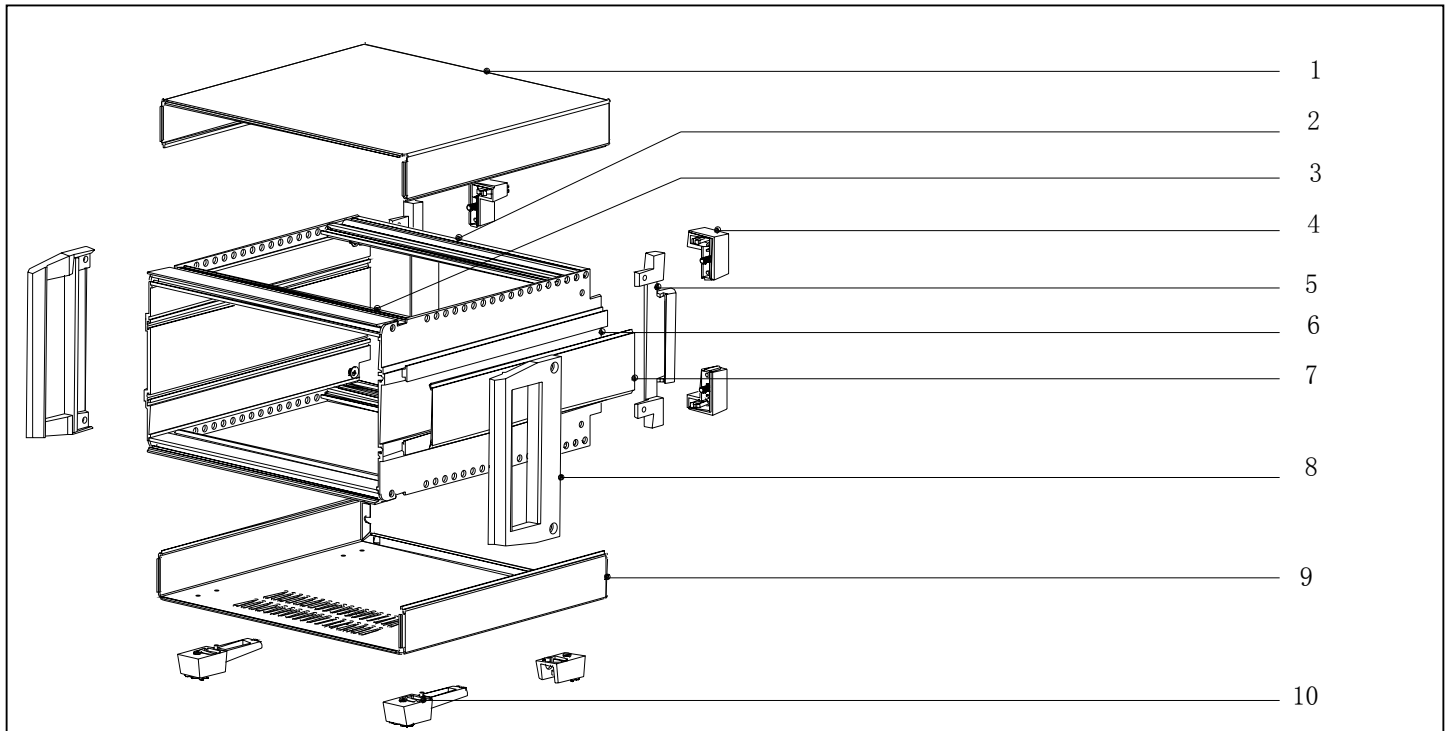
Exterior size			Interior size		Panel size		Panel mounting size	
Overall Height	HP	Overall width	Inside Height	Inside Width	Front panel blank size	Rear panel blank size	Front panel	Rear panel
H		L	h	l	B×A	D×C	m	n
2U	42	236	68	218	214×85	213×85	77.5	77.5
2U	63	343	68	325	321×85	320×85	77.5	77.5
2U	84	450	68	432	428×85	427×85	77.5	77.5
3U	42	236	113	218	214×130	213×130	121.5	121.5
3U	63	343	113	325	321×130	320×130	121.5	121.5
3U	84	450	113	432	428×130	427×130	121.5	121.5
4U	42	236	157	218	214×174	213×174	166.5	166.5
4U	63	343	157	325	321×174	320×174	166.5	166.5
4U	84	450	157	432	428×174	427×174	166.5	166.5

### Depth Chart

Overall Depth	Interior Depth
T	t
180	160
240	220
300	280
320	300
360	340

Note: Custom depth available

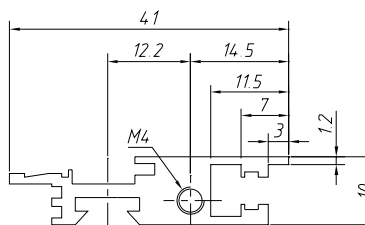
## Standard configuration



ITEM	PART	QTY	DESCRIPTION
1	Top cover	1	0.8mm Aluminium sheet,spary plastic
2	Rear horizontal rail	2	Aluminium extrusion,pre-punched holes for card guide
3	Front horizontal rail	2	Aluminium extrusion,pre-punched holes for card guide
4	Rear foot	4	Moulded in PC,with rubber pad
5	Rear trim	2	Diecast aluminium,spary plastic
6	Side plate	2	Aluminium extrusion,spary plastic
7	Decorative panel	2	Aluminium sheet,spary plastic,with or without vent holes available
8	Handle	2	Diecast aluminium,spary plastic,with mounting bracket for 01B
9	Bottom cover	1	0.8mm Aluminium sheet,spary plastic,with two array of vent holes
10	Bottom foot	4	Moulded in PC,with rubber pad,including 2 pcs of supporting foot

## Extrusions

### Front horizontal rail



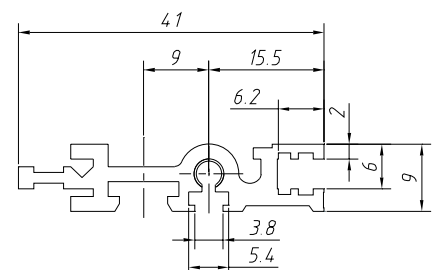
Length table			
HP	42	63	84
Length(mm)	218	325	432

- Material: Aluminum extrusion
- Spary plastic
- With or without pre-punched holes for card guide available

### Rear horizontal rail

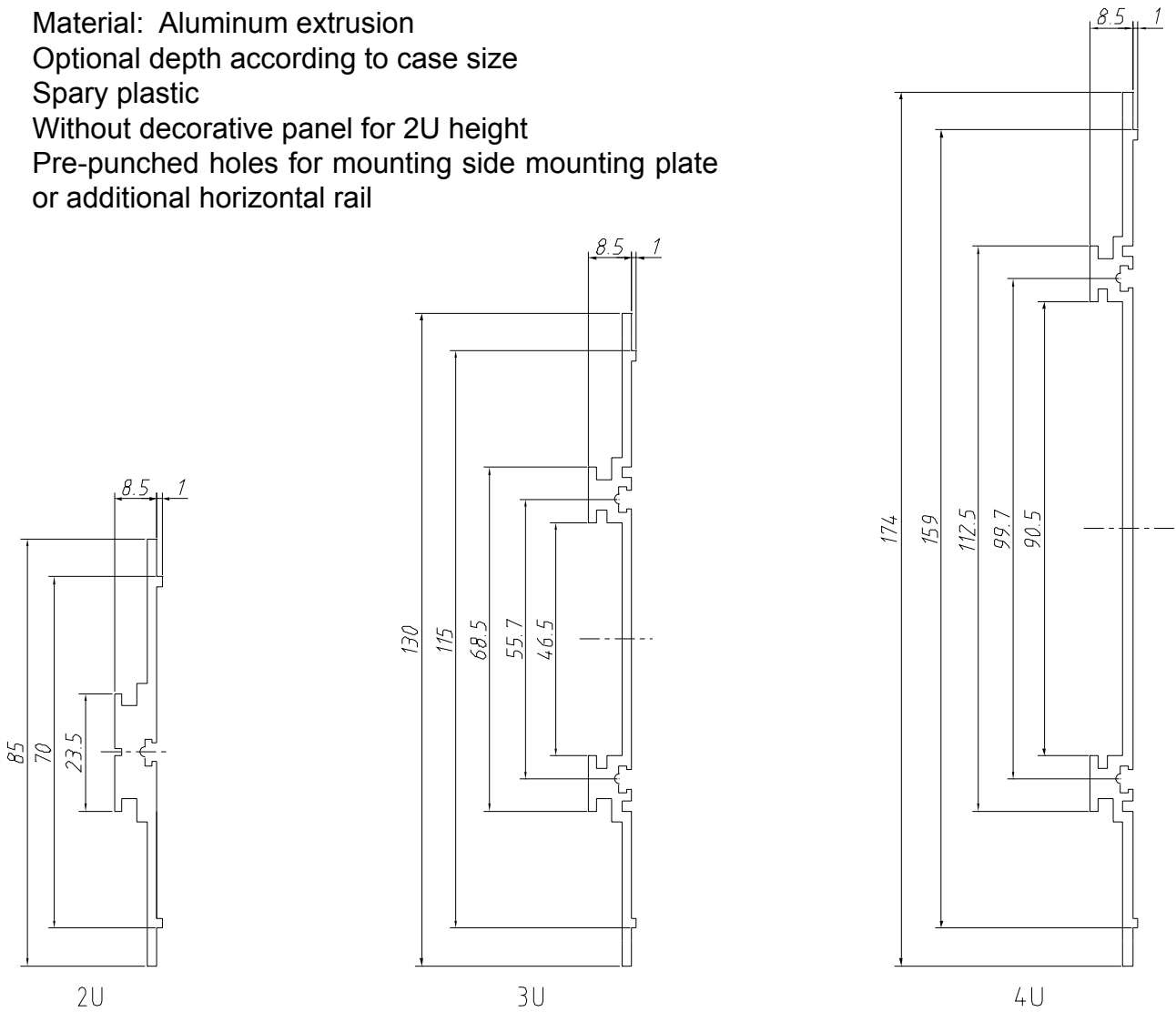
Length table			
HP	42	63	84
Length(mm)	218	325	432

- Material: Aluminum extrusion
- Spary plastic
- With or without pre-punched holes for card guide available



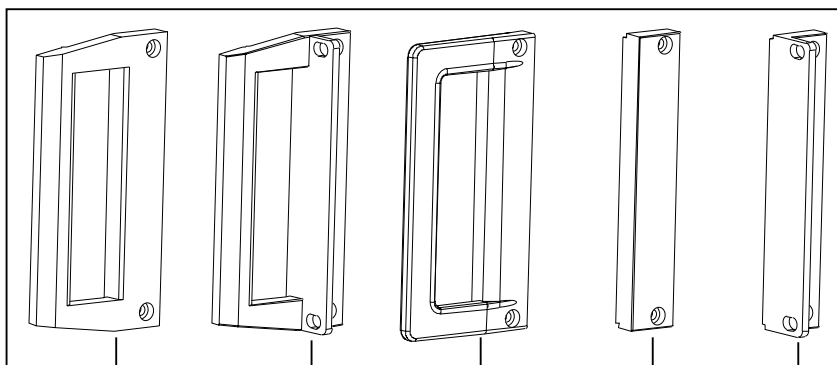
## Side plate

- Material: Aluminum extrusion
- Optional depth according to case size
- Spary plastic
- Without decorative panel for 2U height
- Pre-punched holes for mounting side mounting plate or additional horizontal rail

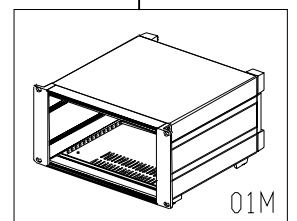
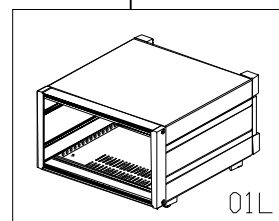
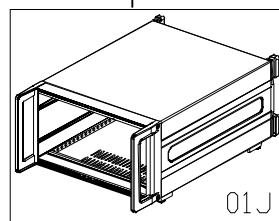
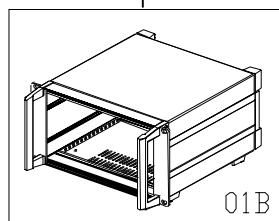
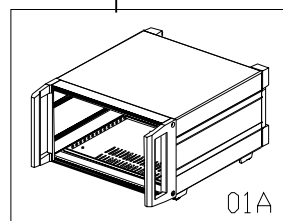


## Optional Accessories

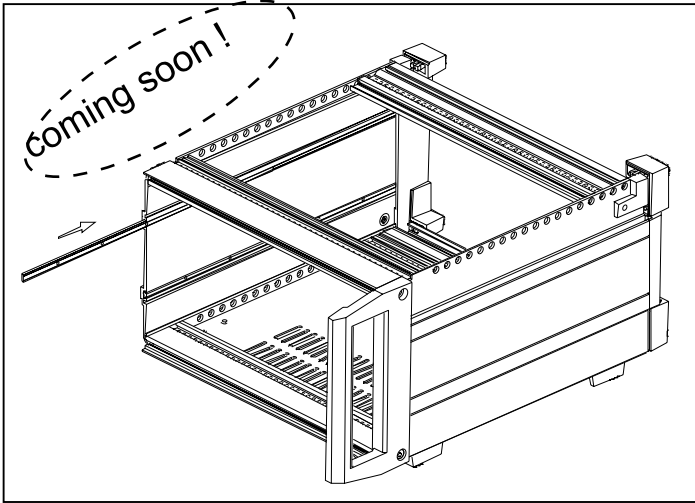
### Handle



- Material: Die-cast aluminum
- Choice of 5 types of handles
- With mounting flange for 01B and 01M
- Spary plastic, custom colors available
- View the below illustrative chart to check the corresponding model of enclosures for different handles



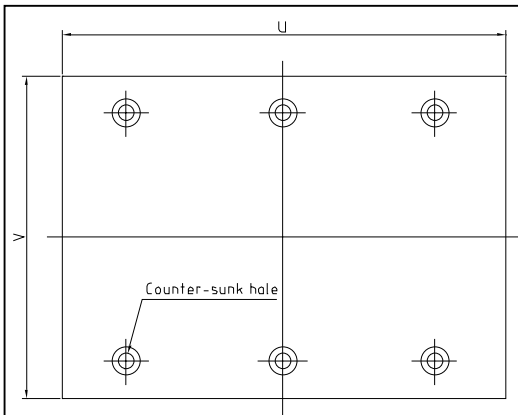
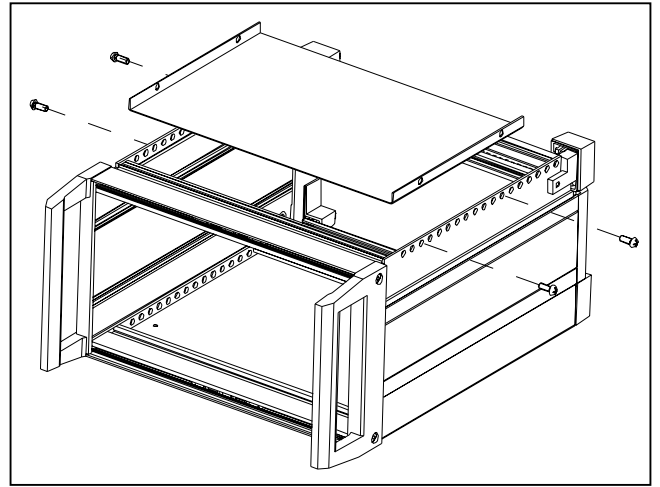
## Plug bar



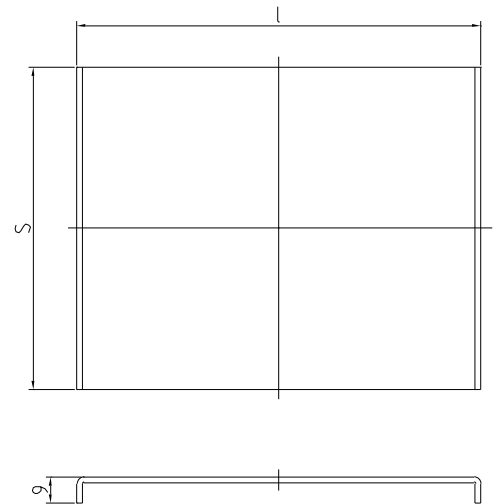
- Material: Aluminum extrusion
- Clear anodized
- Threaded holes for installation of PCB

## Bottom mounting plate

- Material: 1.5mm or 2mm Aluminum sheet
- Choices of two style (style A and style B)
- Fixing onto front rail and rear rail for style A
- Fixing onto two side plate for style B



Style A



Style B

## Demensions chart

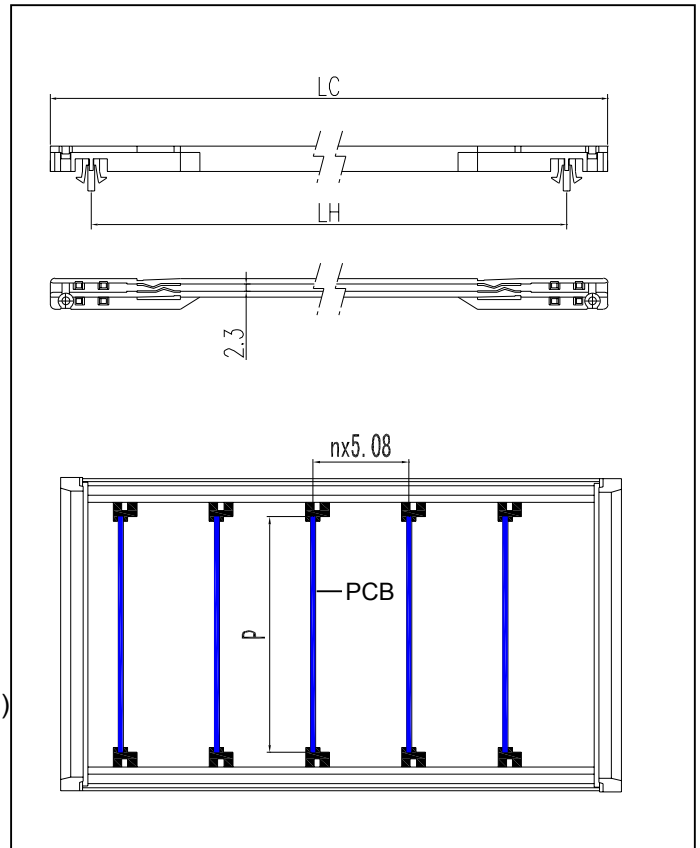
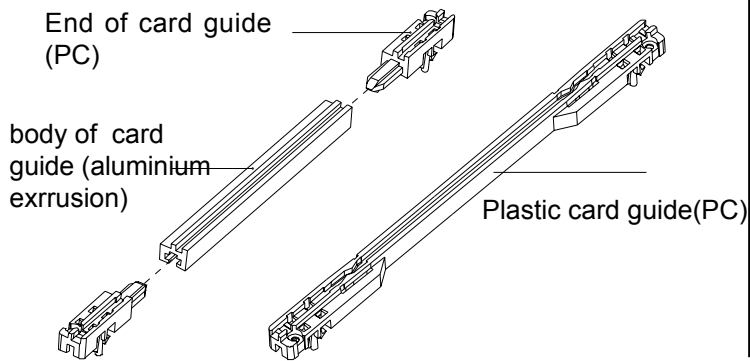
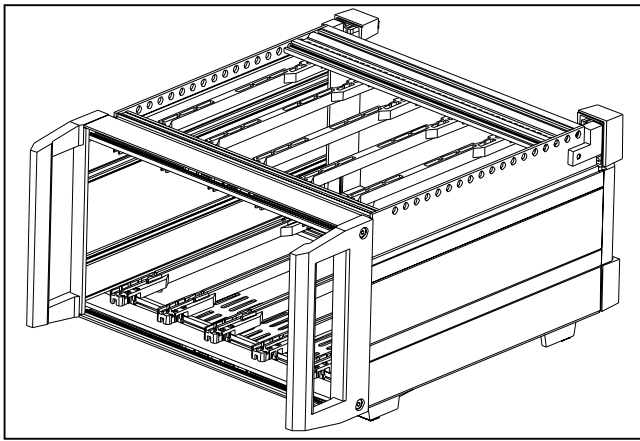
Chart 1 (For style A)  $u(\text{mm}) \times v(\text{mm})$

Width T	42HP	63HP	84HP
180mm	215×164	322×164	429×164
240mm	215×224	322×224	429×224
300mm	215×284	322×284	429×284
320mm	215×304	322×304	429×304
360mm	215×344	322×344	429×344

Chart 2 (For style B)  $l(\text{mm}) \times s(\text{mm})$

Width T	42HP	63HP	84HP
180mm	218×95	325×95	432×95
240mm	218×155	325×155	432×155
300mm	218×215	325×215	432×215
320mm	218×235	325×235	432×235
360mm	218×275	325×275	432×275

## Card guide

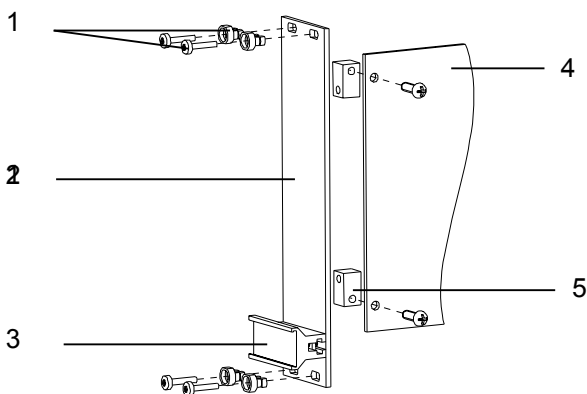


Length of plastic card guide		
LC(mm)	143	210
LH(mm)	123	183

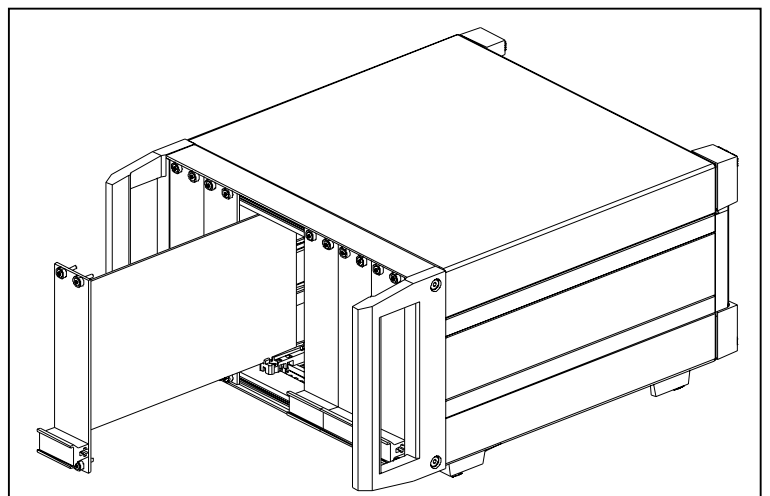
Height of PCB			
H	2U	3U	4U
P(mm)	56	100.5	145

- Choices of two style of card guide (plastic or alimium extrusion)
- moulded in PC for plastic card guide
- Optional length for aluminum extrusions card guide
- Suitable for 1.6mm to 2.0mm nominal thickness
- Custom colors available

## Panel of plug-in unit

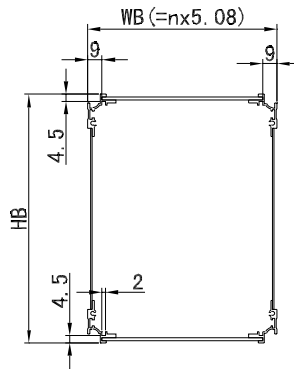
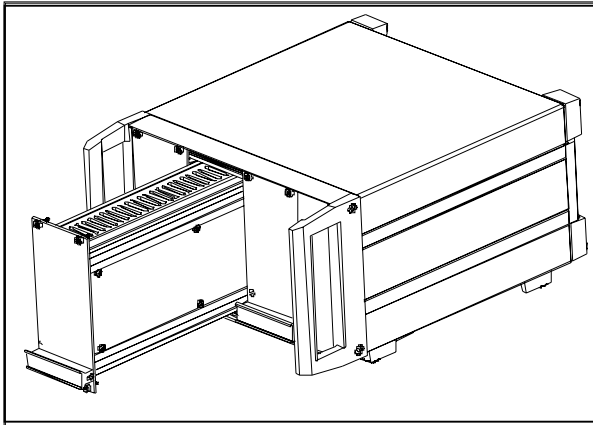


- 1.Quick lock      2.Panel      3.Drag  
4.PCB              5.Fixed base for PCB

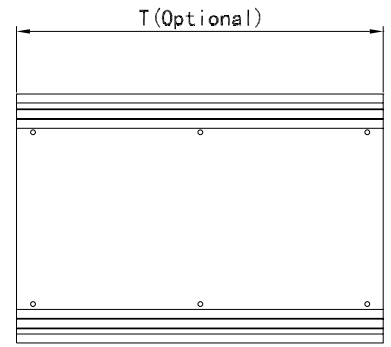


- Material :2mm alminium sheet ,Clear anodized
- Quick locks screw into the slide nuts plugged in front rail or rear rail
- With "V" drag
- Optional size of panel, also cut-outs in the panel available

## Box of plug-in unit



Front view of box  
(remove front panel)



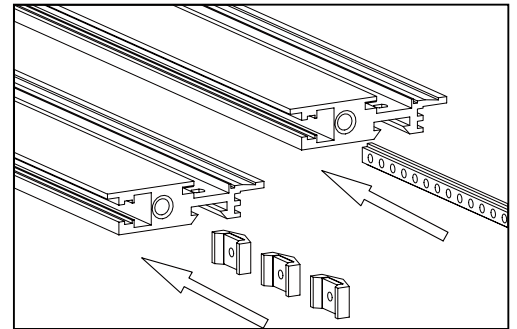
Side view of box  
(remove front panel)

## Dimensions chart for box

H	2U	3U	4U	5U	6U
HB(mm)					

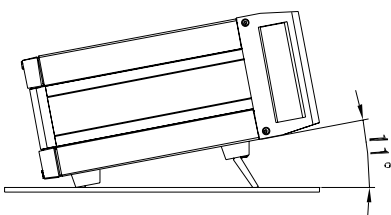
## Threaded strip

- Material: Stainless steel
- With threaded holes (pitch of 5.08mm)
- Replacement of slide nuts as standard version
- For mounting front or rear panel

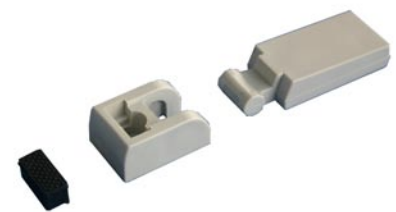


## Bottom feet

- Material: PC
- Choices of four style
- Style A as standard version



Style A (the smaller cubic feet)



Style B (middle cubic feet)

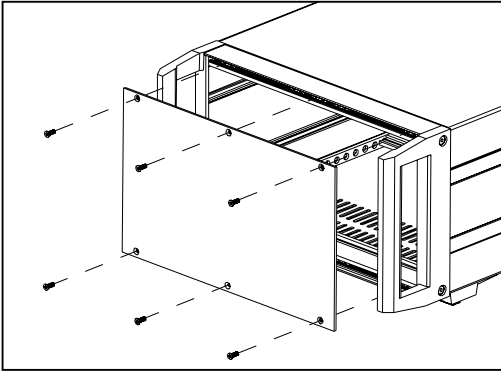


Style C (the bigger cubic feet)



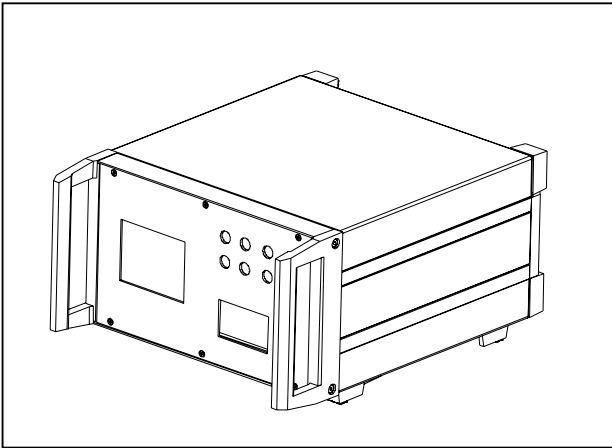
Style D (column feet)

## Panel

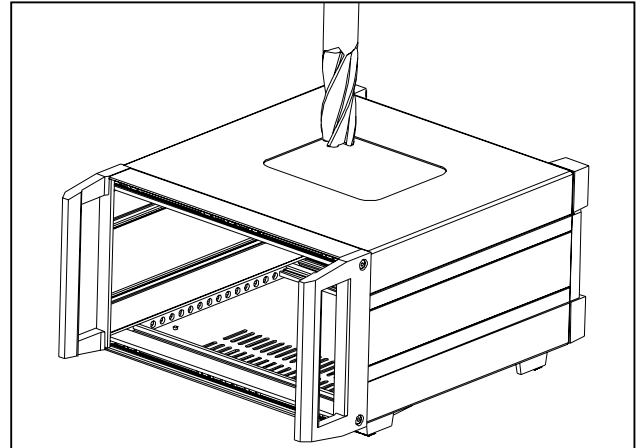


- Material: 2mm Aluminum sheet
- Clear anodized available
- Refer to page 1 for the dimensions of front and rear panel

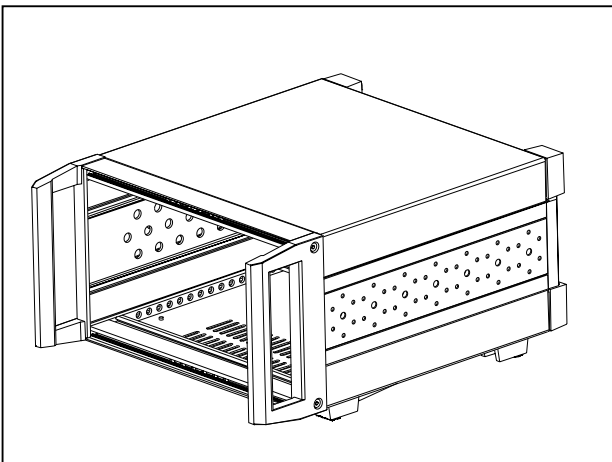
## Customization services



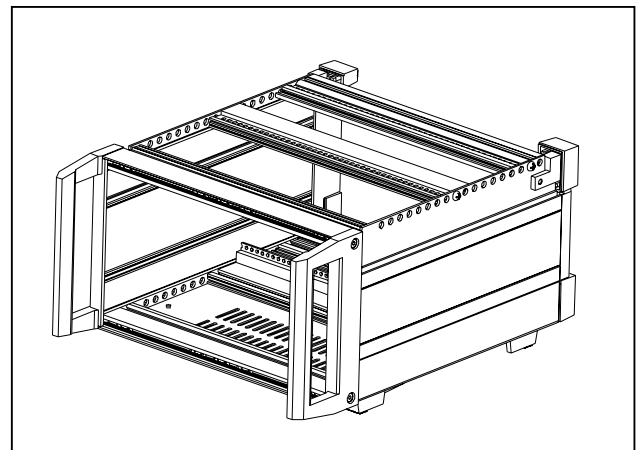
Cut-outs in the front and rear panel



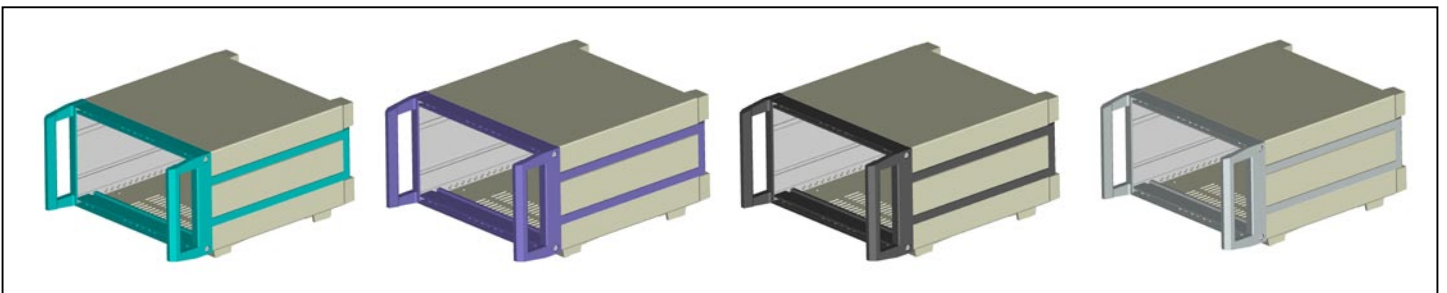
Secondary tooling for top and bottom cover



Special vent holes in the decorative panel and side plate



Strengthen enclosure by mounting additional extrusion, which can be used for installation of backplanes



Specify the non-standard colors (you may provide us with the card of your desired color) refer to our web site for the standard version

## How to order

It is very simple ordering 01A series enclosures of Changhe  
Just pick up the phone and call your local Changhe office (View our web site <http://www.enclosures.com.cn> to get the address of Changhe enclosures, also dial us at 86-574-63028237)

- inform us the model of your enclosure to order
- Inform us the desired overall height(H), overall width(W) and depth(T)
  - \* see the chart on page 1 for definitions of H, W and T
- Optional accessories should be separately ordered
- Specify us your desired color of enclosure
  - \*see our website to view various of colors configuration
- You should send us the drawing if you require secondary tooling or other cut-outs

**Example :** Model:01A

case size 3U×42HP×300mm

colors: case 2

Accessories: 20 pieces of 210mm plastic card guide



# 长河机箱

### **Ningbo Dayang enclosures Co., Ltd.**

Economic development zone, changchizhi  
Road, Cixi city, Zhejiang province, 315326, China

Tel: 86-574-63028237

Fax: 86-574-63028372

Website: <http://www.enclosures.com.cn>