

01C/01D series

01C(without handle)



01D(with handle)



- Aluminum construction
- Top and bottom cover spaired plastic
- simple assembly
- Custom colors available
- Wide range of enclosure size
- Special assembly sevices

Height/Width Chart

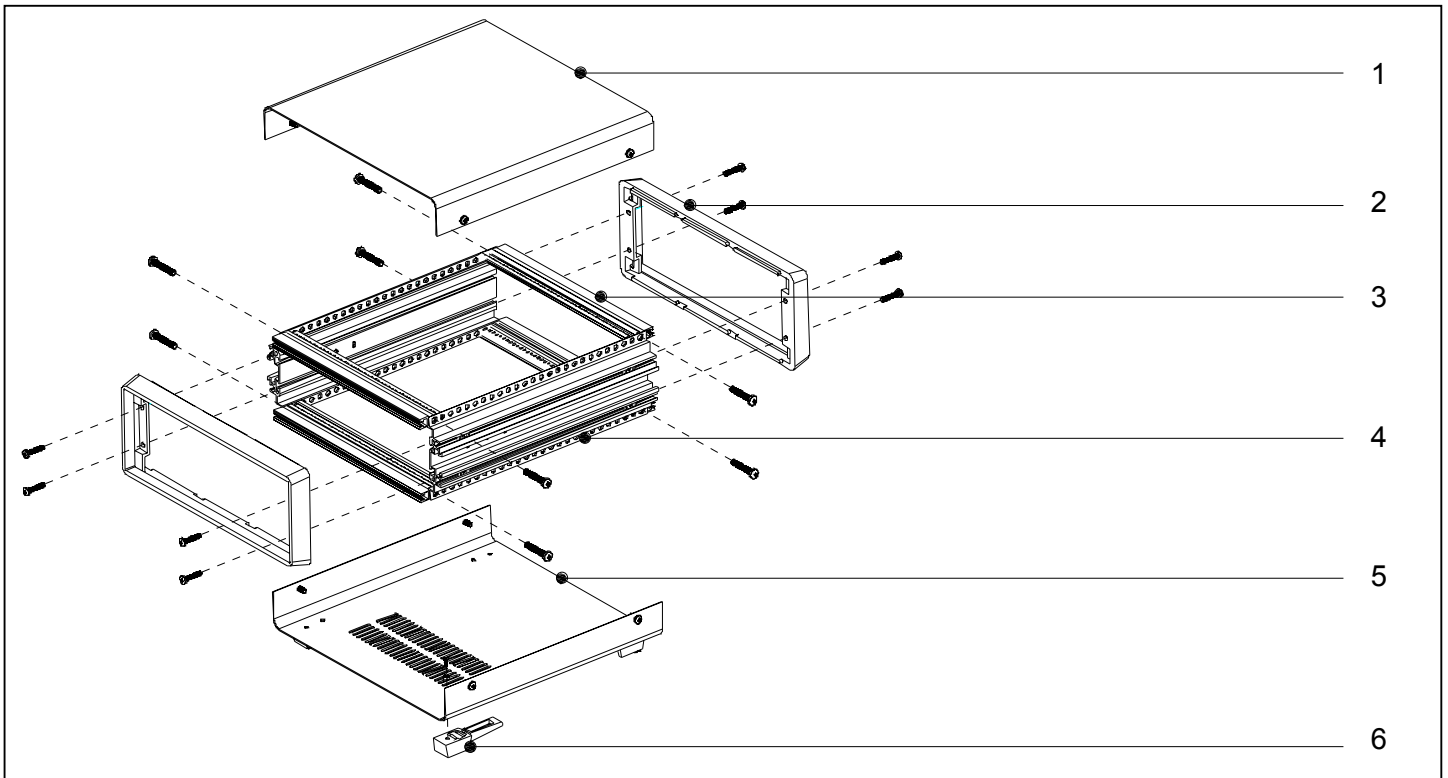
Exterior size				Interior size		Panel size	Panel mounting size
Height of side plate	Overall height	Length of horizontal rail (HP)	Overall width	Inside Height	Inside Width		
HS	H(mm)	(HP)	L(mm)	h(mm)	l(mm)	B(mm)×A(mm)	m(mm)
2U	102	42	259	68	218	242×85	78
2U	102	63	366	68	325	349×85	78
3U	147	42	259	113	218	243×129	123
3U	147	63	366	113	325	349.5×130	123
3U	147	84	473	113	432	455.5×129	123
4U	191	42	259	157	218	242.5×174	167
4U	191	63	366	157	325	349.5×174	167
4U	191	84	473	157	432	455.5×174	167

Depth Chart

Overall Depth	Interior Depth
T	t
180	158
240	218
300	278
320	298
360	338

Note: Custom depth available

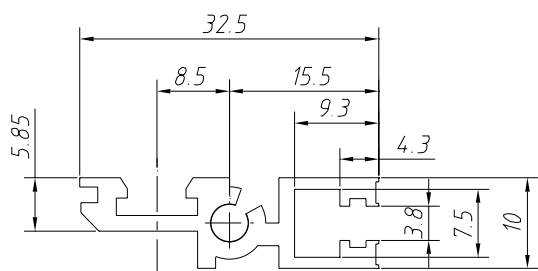
Standard configuration



ITEM	PART	QTY	DESCRIPTION
1	Top cover	1	Aluminium sheet, spary plastic
2	Frame	2	Diecast aluminium, spary plastic, the front and rear frame is the same one
3	Horizontal rail	4	Aluminium extrusion, clear anodized, pre-punched holes for card guide
4	Side plate	2	Aluminium extrusion, clear anodized
5	Bottom cover	1	Aluminium sheet, spary plastic, with two array of vent holes
6	Bottom foot	4	Moulded in PC, with rubber pad, including 2 pcs of supporting foot

Extrusions

Horizontal rail

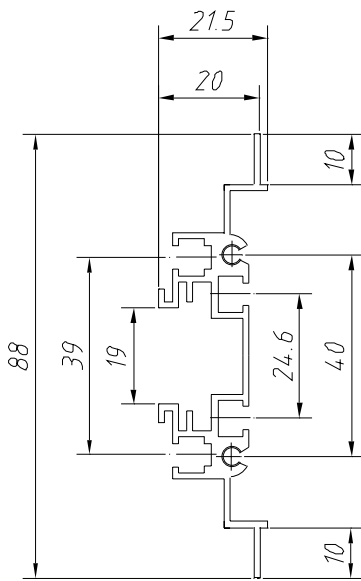


Length table			
HP	42	63	84
Length(mm)	218	325	432

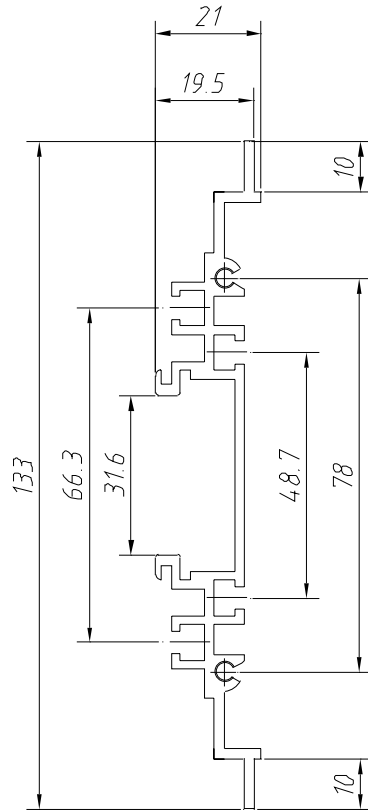
- Material: Aluminum extrusion
- Clear anodized
- With or without pre-punched holes for card guide available

Side plate

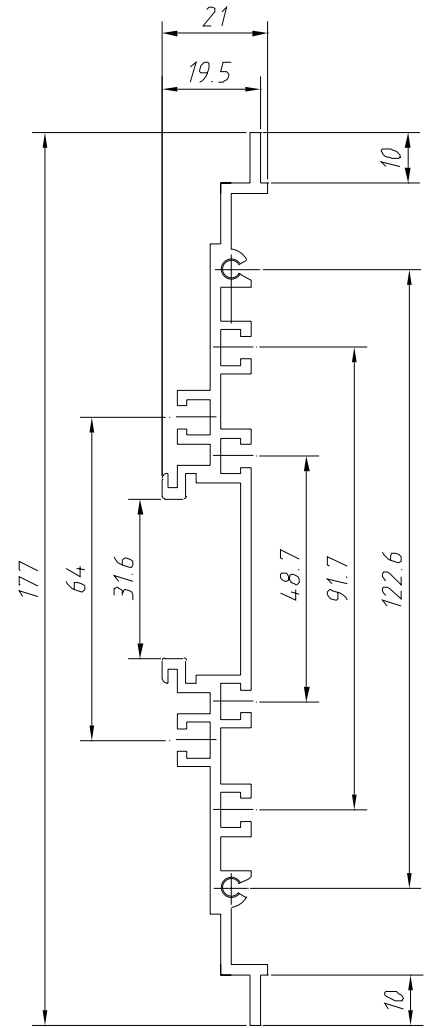
- Material: Aluminum extrusion
- Optional depth according to case size
- Clear anodized
- Pre-punched holes for mounting side mounting plate or additional horizontal rail



2U



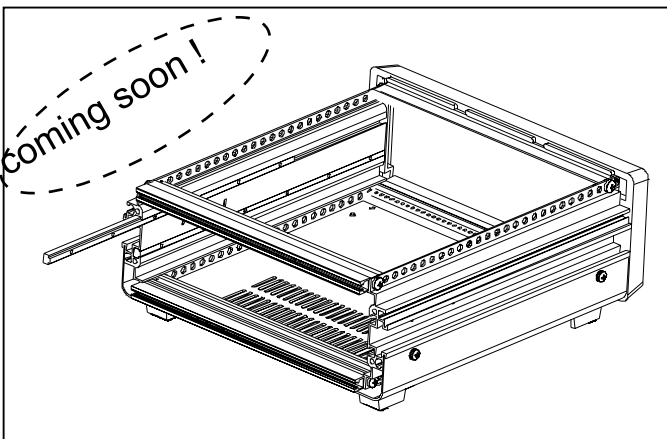
3U



4U

Optional Accessories

Plug bar



- Material: Aluminum extrusion
- Clear anodized
- Threaded holes for installation of PCB

Bottom mounting plate

- Material: 1.5mm or 2mm Aluminum sheet
- Choices of two style (style A and style B)
- Fixing onto front rail and rear rail for style A
- Fixing onto two side plate for style B

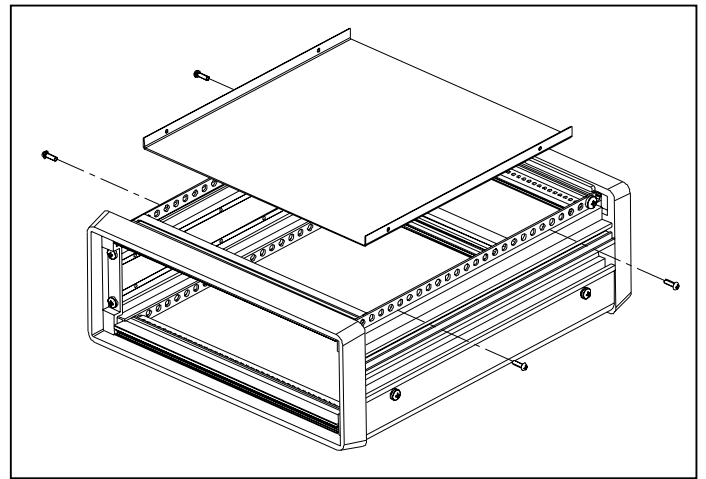
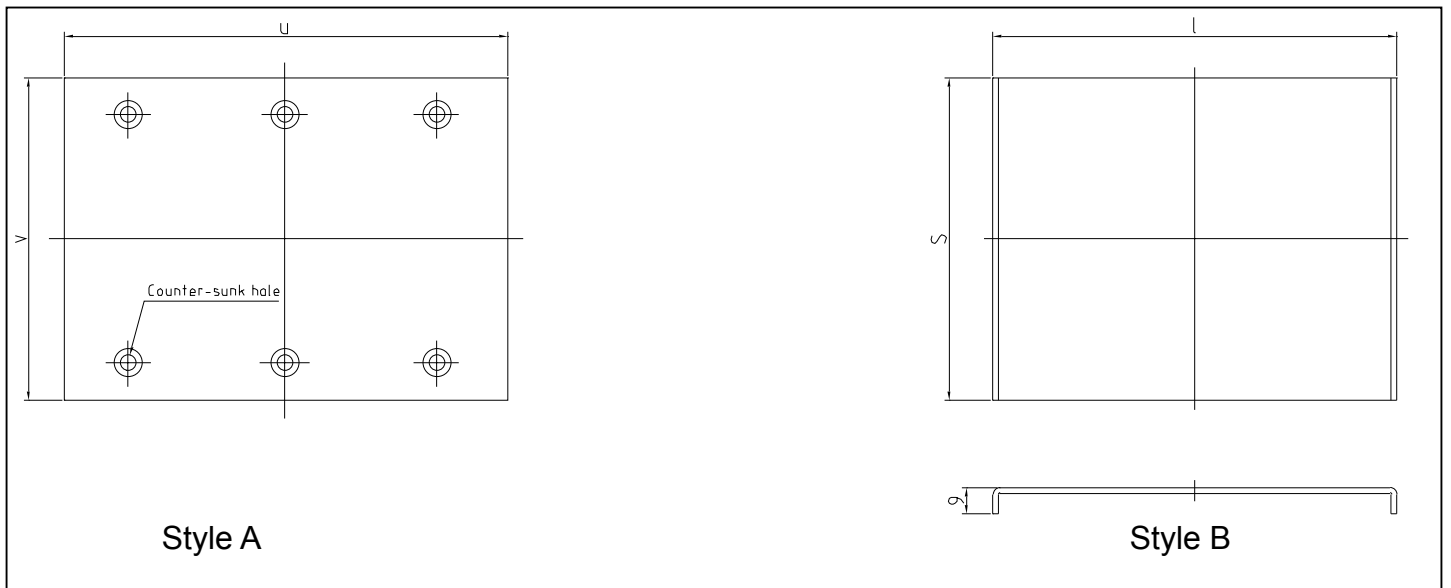


Illustration for style B



Dimensions chart

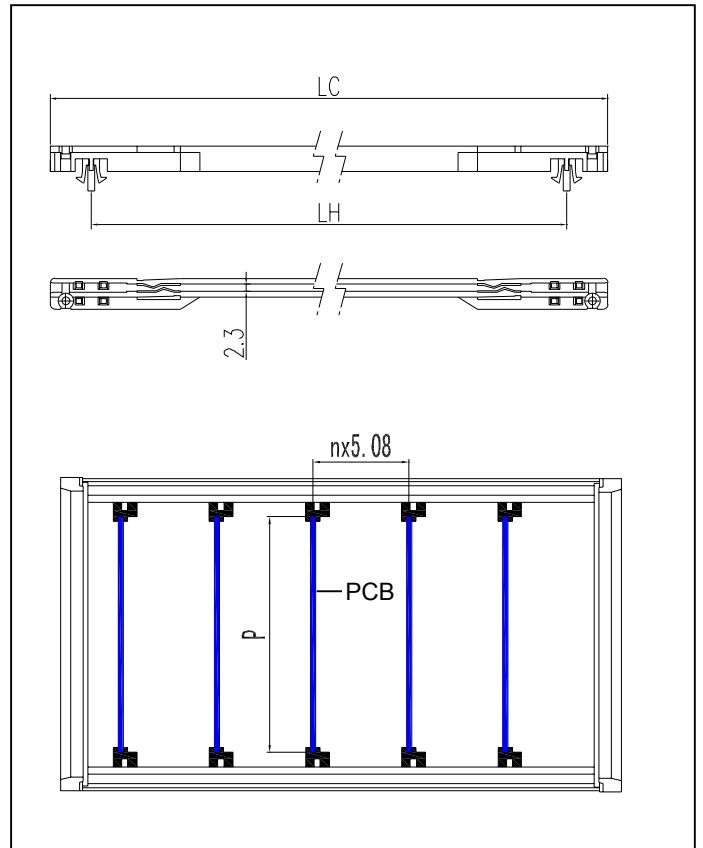
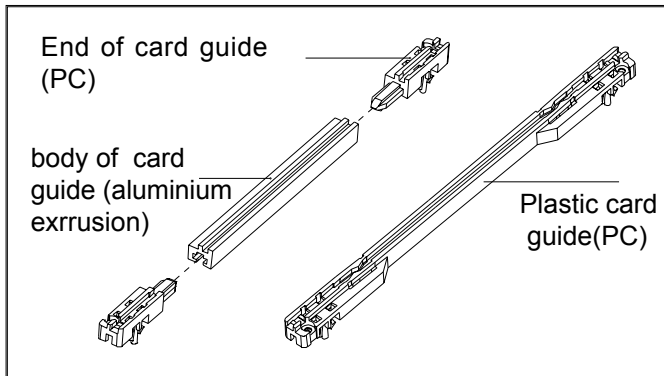
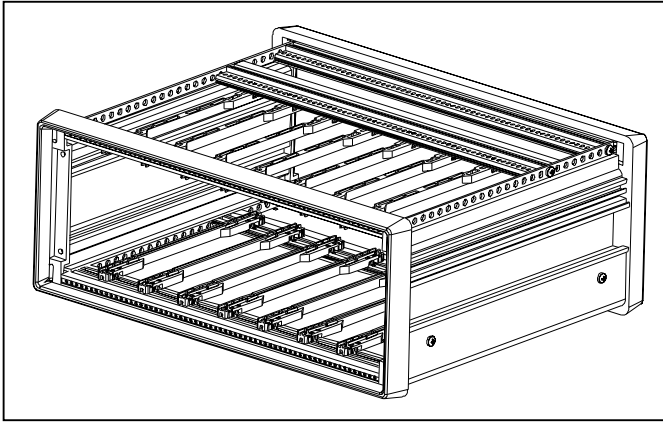
Chart 1 (For style A) $u(\text{mm}) \times v(\text{mm})$

Width T	42HP	63HP	84HP
180mm	215×158	322×158	429×158
240mm	215×218	322×218	429×218
300mm	215×278	322×278	429×278
320mm	215×298	322×298	429×298
360mm	215×338	322×338	429×338

Chart 2 (For style B) $l(\text{mm}) \times s(\text{mm})$

Width T	42HP	63HP	84HP
180mm	218×92	325×92	432×92
240mm	218×152	325×152	432×152
300mm	218×212	325×212	432×212
320mm	218×232	325×232	432×232
360mm	218×272	325×272	432×272

Card guide

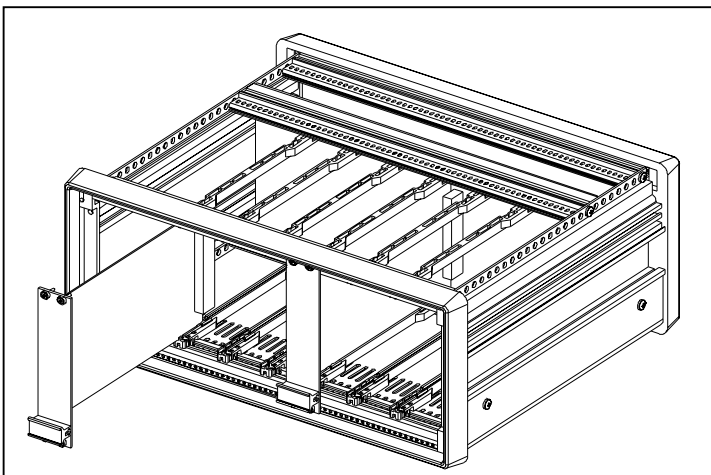


Length of plastic card guide		
LC(mm)	143	210
LH(mm)	123	183

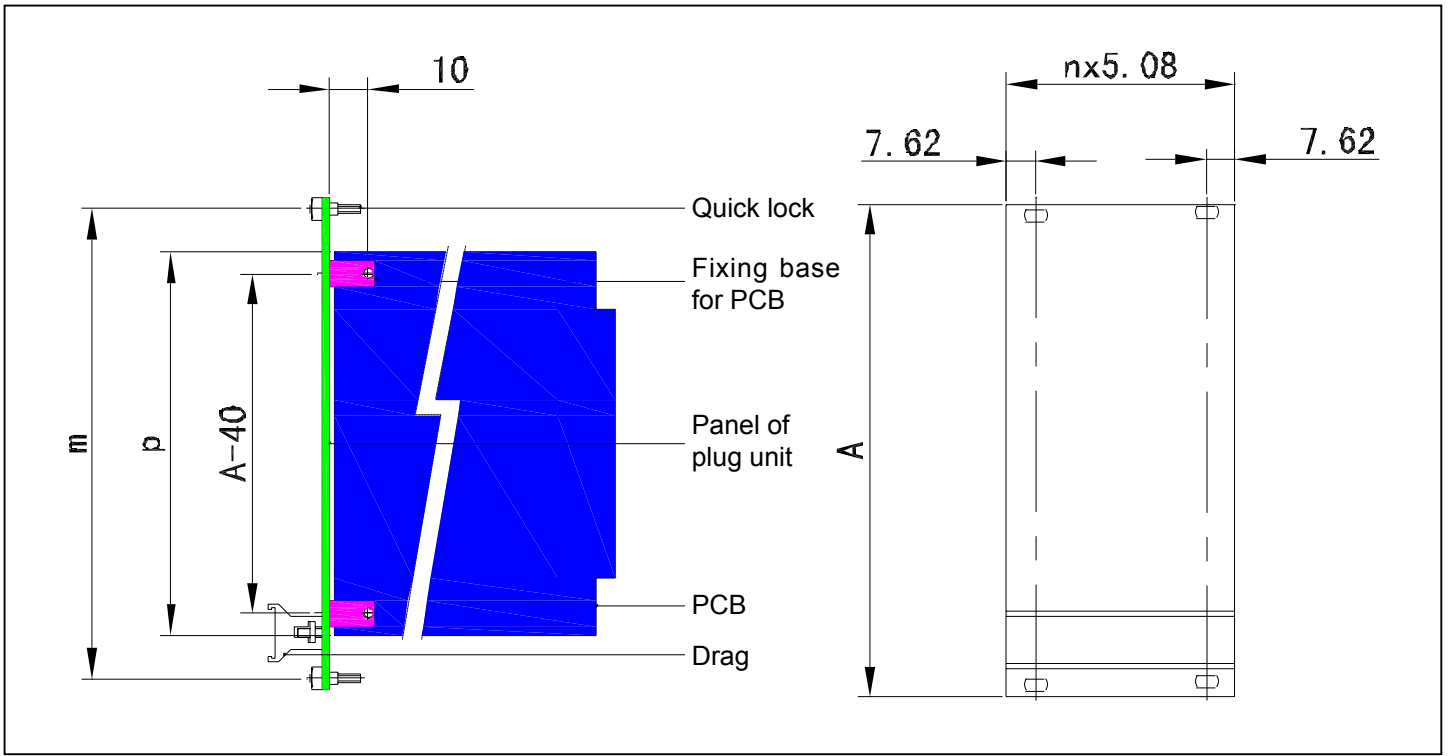
Height of PCB			
H	2U	3U	4U
P(mm)	56	100.5	145

- Choices of two style of card guide (plastic or aliminum extrusion)
- moulded in PC for plastic card guide
- Optional length for aluminum extrusions card guide
- Suitable for 1.6mm to 2.0mm nominal thickness
- Custom colors available

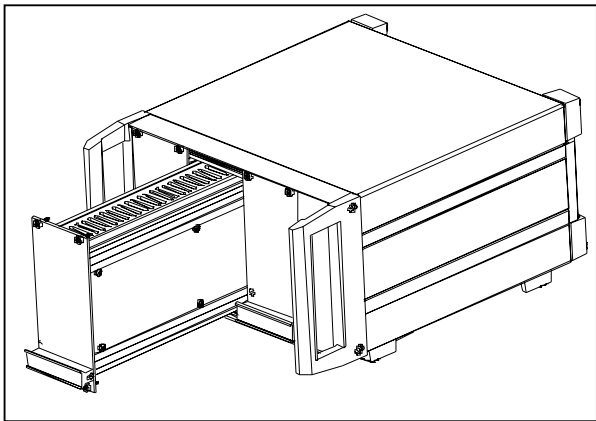
Panel of plug-in unit



- Material :2mm alminium sheet ,Clear anodized
- Quick locks screw into the slide nuts plugged in front rail or rear rail
- With "V" drag
- Optional size of panel, also cut-outs in the panel available on request
- The dimension in the below ,A-40, show the fixing points for PCB's vertical space

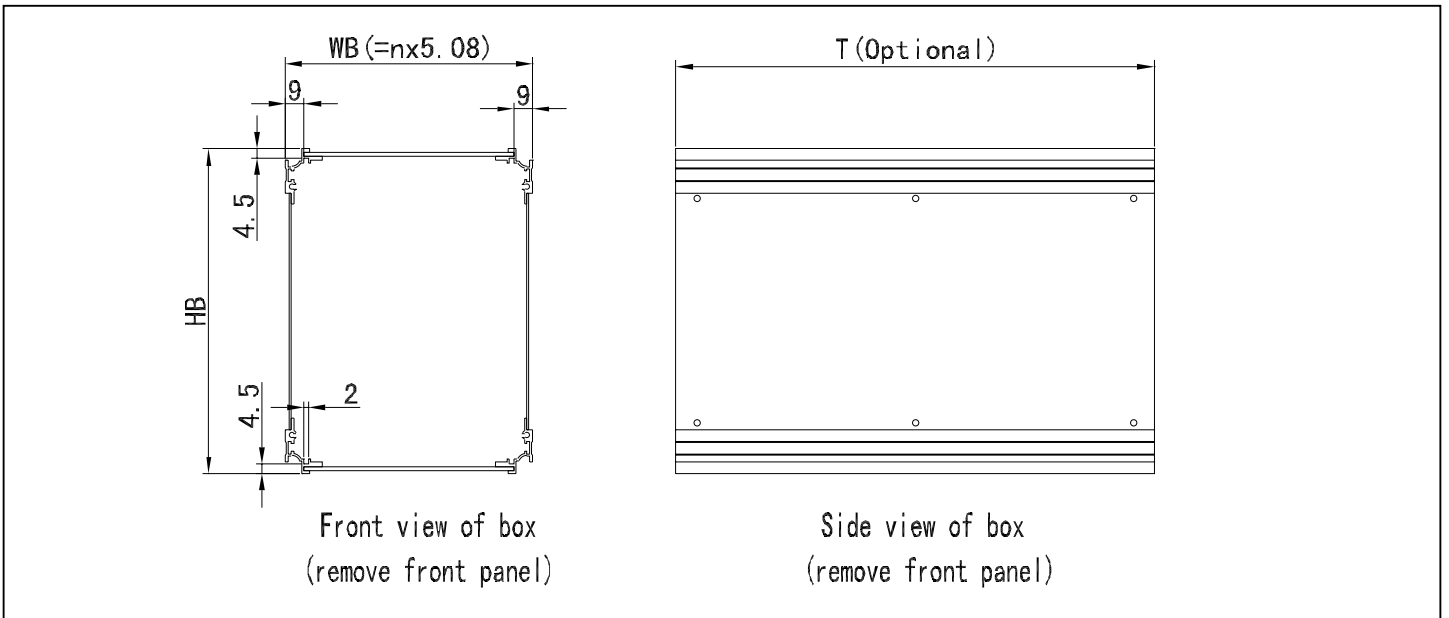


Box of plug-in unit

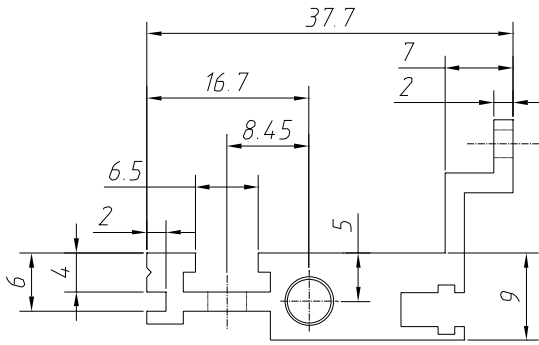


Dimensions chart for box

H	2U	3U	4U	5U	6U
HB(mm)					

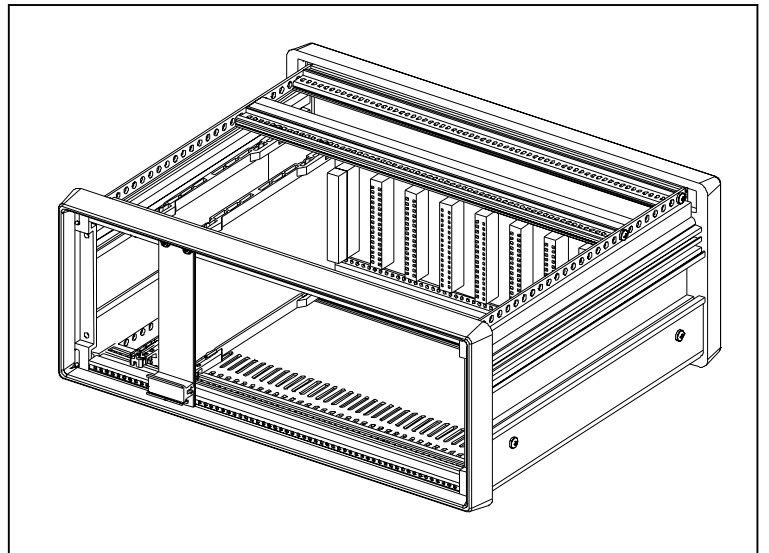
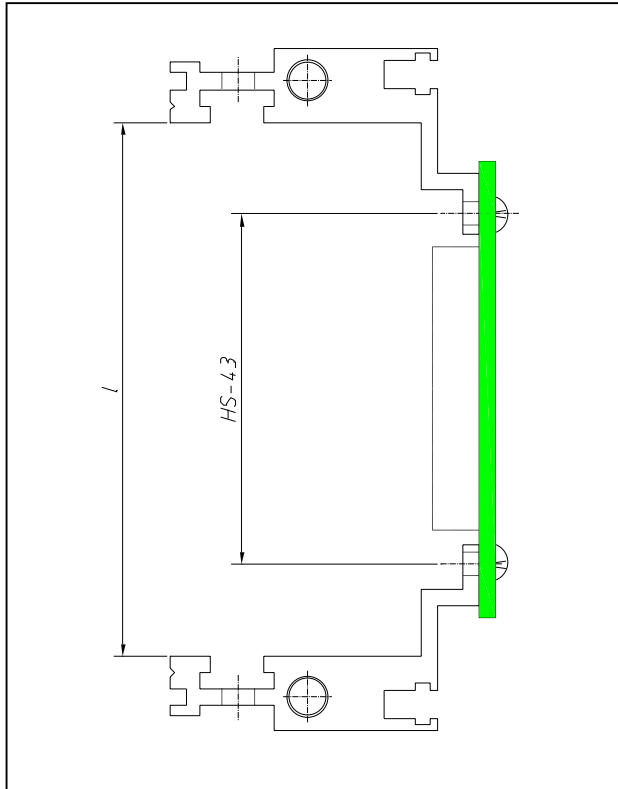


Mid-Rail

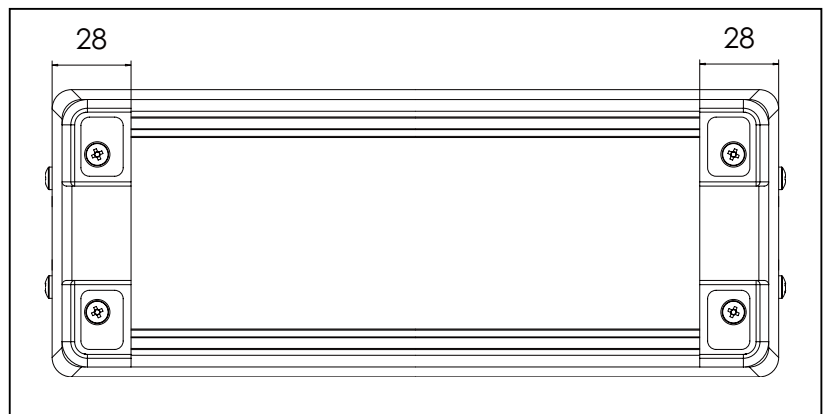
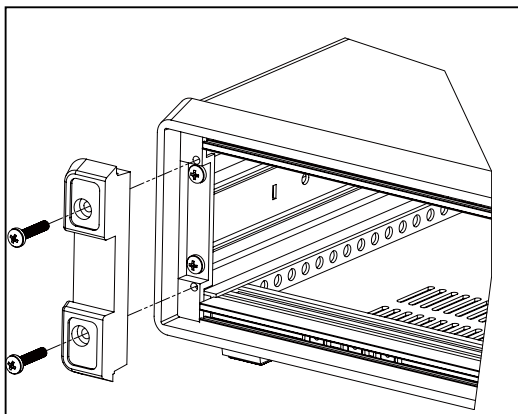


Length table			
HP	42	63	84
Length(mm)	218	325	432

- Material: Aluminum extrusion
- Clear anodized
- With or without pre-punched holes for card guide available
- suitable for installation of backplanes

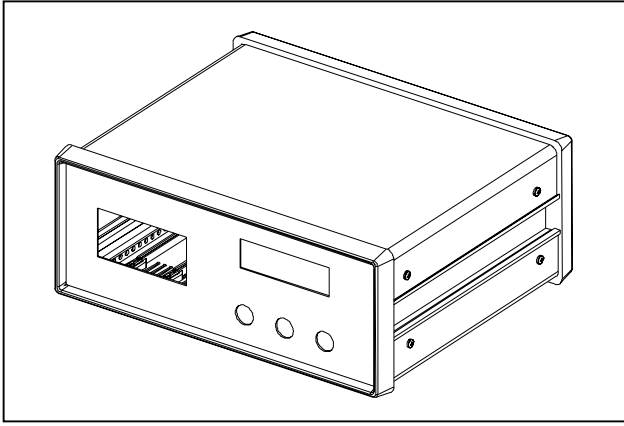


Rear foot



- Material: Diecast aluminum
- Spary plastic
- Size of the rear panel will change if rear feet are mounted

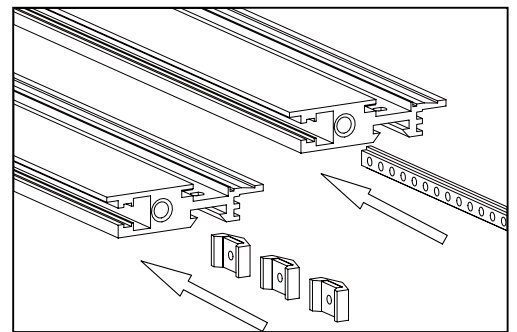
Panel



- Material: 2mm Aluminum sheet
- Clear anodized available
- Refer to page 1 for the dimensions of front and rear panel
- Cut-outs in the front and rear panel available

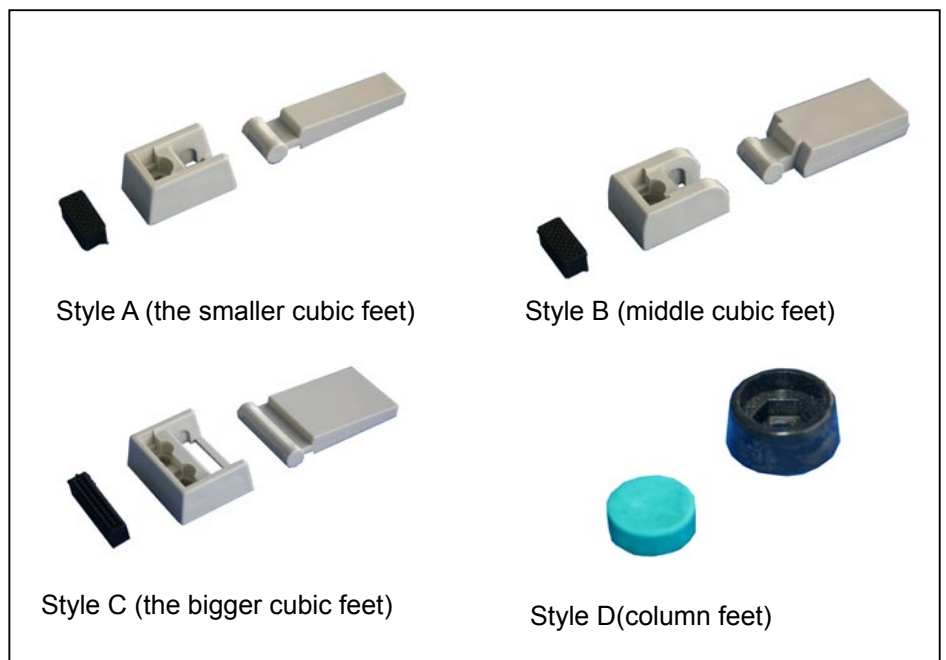
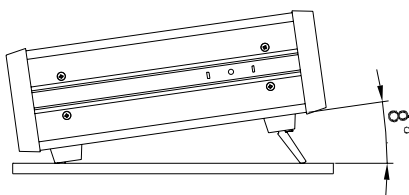
Threaded insert

- Material: Stainless steel
- With threaded holes (pitch of 5.08mm)
- Replacement of slide nuts as standard version
- For mounting front or rear panel



Bottom feet

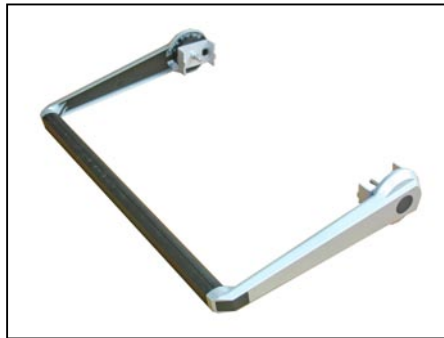
- Material: PC
- Choices of four style
- Style A as standard version



Handle



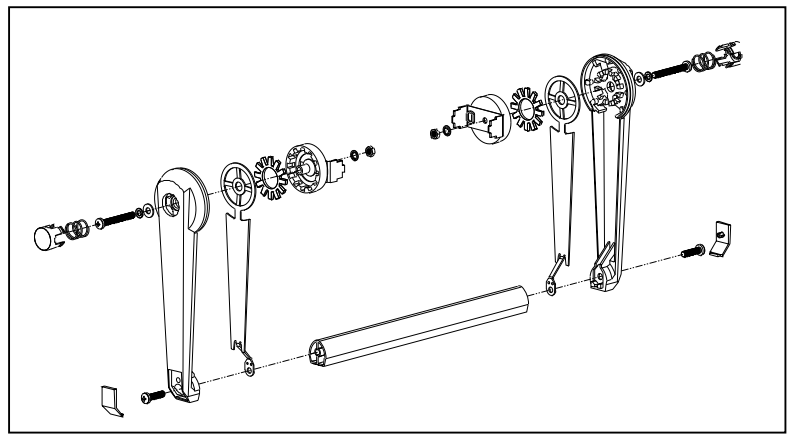
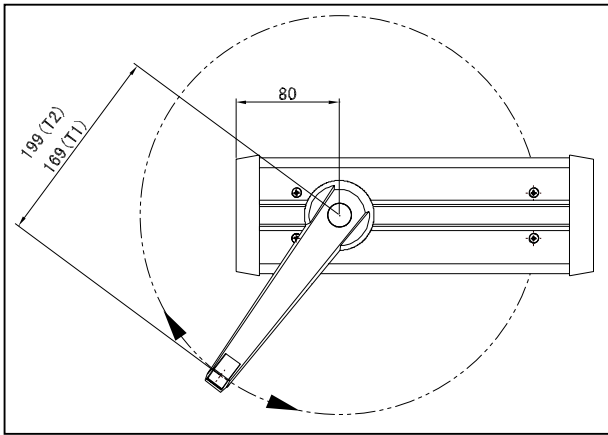
Model: T1



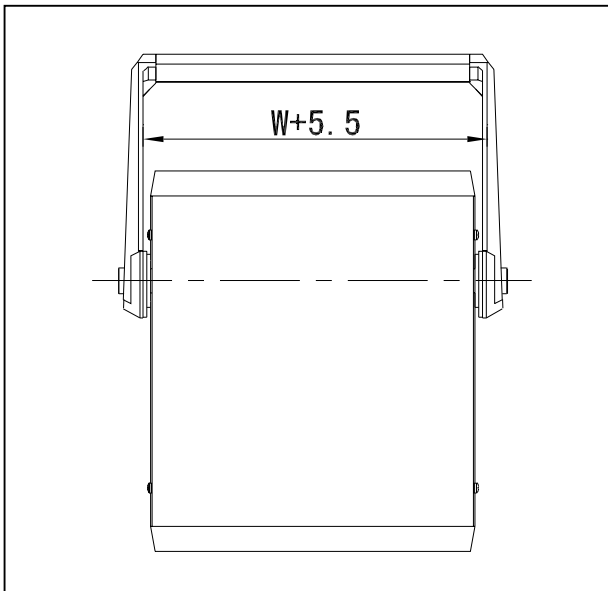
Model: T2



Model: T6

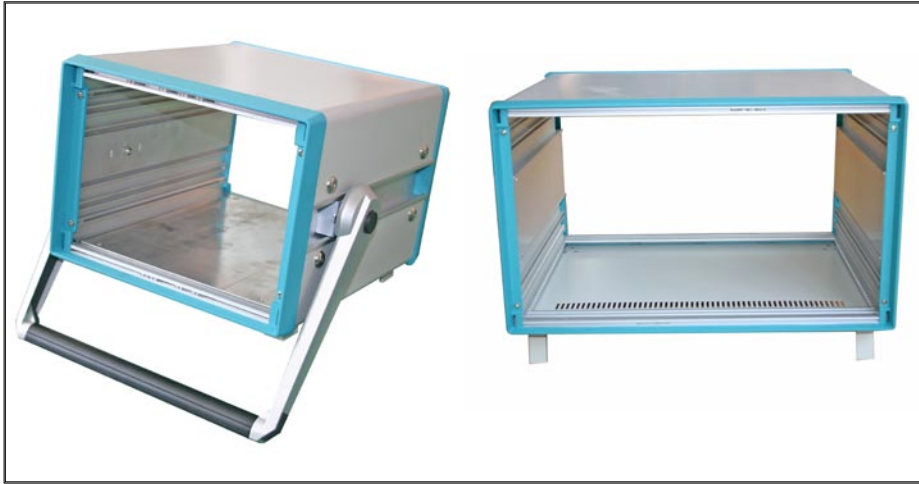


Explode view for T1 or T2



- Choice of three models of handle
- Can be revolved about the axis as left drawing every other 30 degree
- Bearing capability of 30kg
- The model for enclosure with handle is 01D

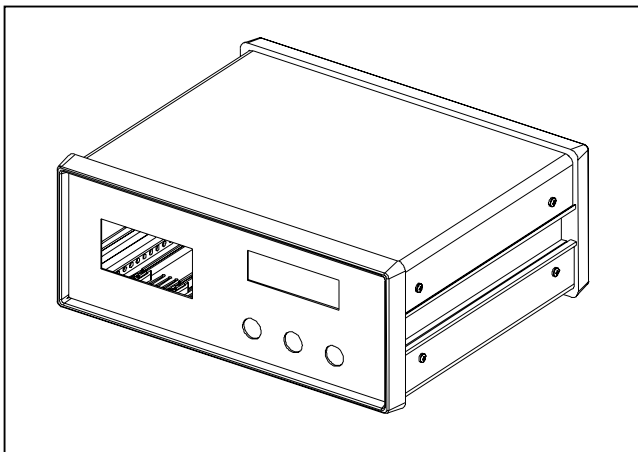
Customization services



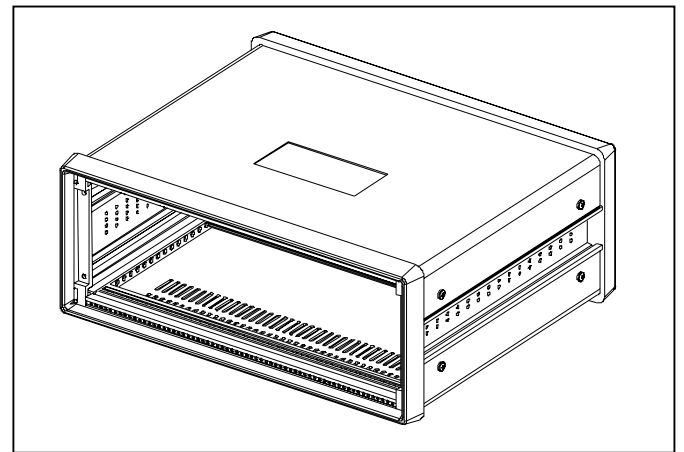
Customization of The bigger size enclosures (from 5U to 9U) The details for dimensions as following chart. See page 1 for definitions of different dimensions

Height/Width Chart

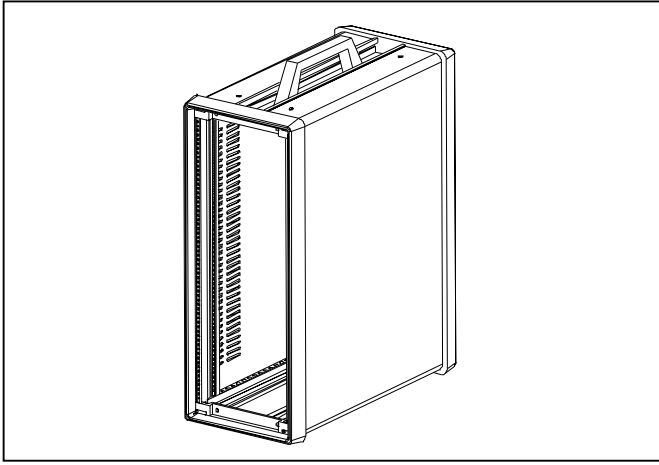
Exterior size				Interior size		Panel size B(mm)×A(mm)	Panel mounting size m(mm)
Height of side plate HS	Overall height H(mm)	Length of horizontal rail (HP)	Overall width L(mm)	Inside Height h(mm)	Inside Width l(mm)		
5U	236	42	258		218		
5U	236	63	364.5		325		
5U	236	84	471		432		
6U	281	42	258		218		
6U	281	63	364.5		325		
6U	281	84	471		432		
7U	325	42	258		218		
7U	325	63	364.5		325		
7U	325	84	471		432		
8U	370	42	258		218		
8U	370	63	364.5		325		
8U	370	84	471		432		
9U	415	42	258		218		
9U	415	63	364.5		325		
9U	415	84	471		432		



Cut-outs in the front and rear panel



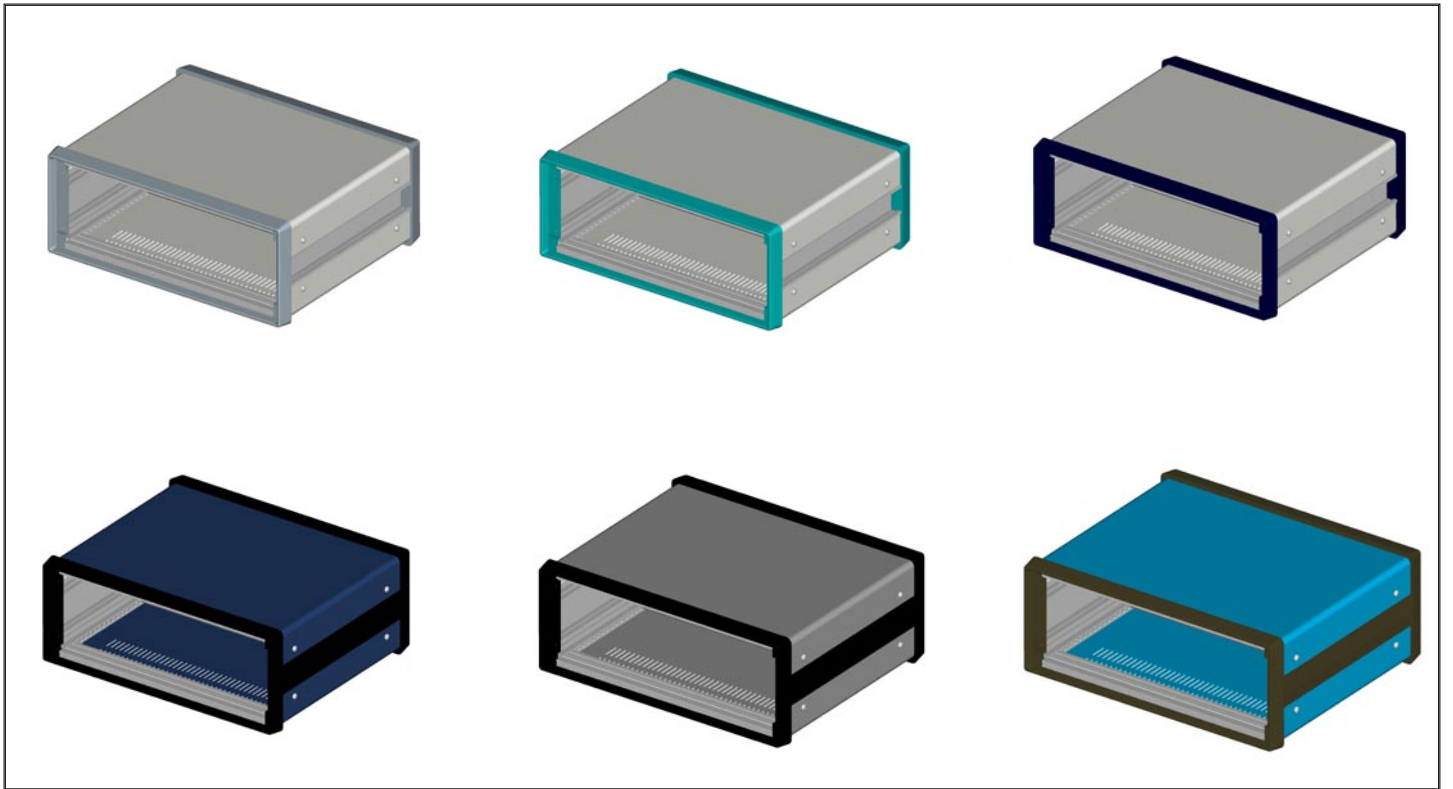
Special vent holes in the top cover and side plate



Vertical application,with Drag available



Special assembly services



Specify the non-standard colors (you may provide us with the card of your desired color) refer to our web site for the standard version

How to order

It is very simple ordering 01C/01D series enclosures of Changhe
Just pick up the phone and call your local Changhe office (View our web site <http://www.enclosures.com.cn> to get the address of Changhe enclosures, also dial us at 86-574-63028237)

- inform us the model of your enclosure to order
- Inform us the desired overall height(H), overall width(W) and depth(T)
* see the chart on page 1 for definitions of H, W and T
- Optional accessories should be separately ordered
- You must specify the model of handle for 01D (without handle for 01C)
- Specify us your desired color of enclosure
*see our website to view various of colors configuration
- You should send us the drawing if you require secondary tooling or other cut-outs

Example : Model:01D

case size: 3U×42HP×300mm

handle: T2

colors: case 2

Accessories: 20 pieces of 210mm plastic card guide



长河机箱

Ningbo Dayang enclosures Co., Ltd.

Economic development zone, changchizhi

Road, Cixi city, Zhejiang province, China

Tel: 86-574-63028237

Fax: 86-574-63028372

Website:<http://www.enclosures.com.cn>