

01E/01F series

01E(without handle)



01F(with handle)

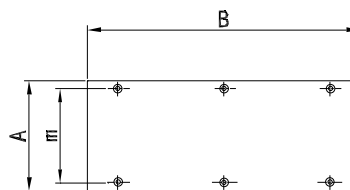
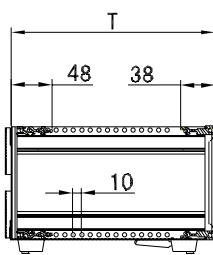
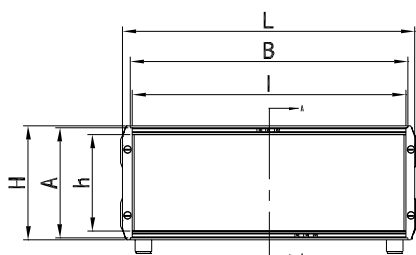


- Aluminum construction
- Top and bottom cover spaired plastic
- simple assembly
- Custom colors available
- Wide range of enclosure size
- Special assembly sevices

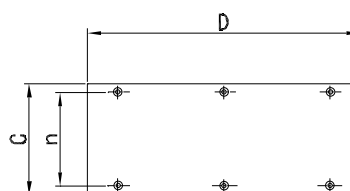
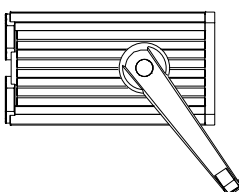
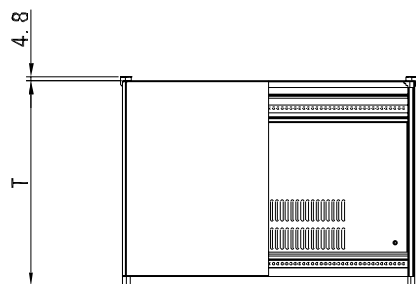
Height/Width Chart

Exterior size			Interior size		Panel size		Panel mounting size	
Overall Height	HP	Overall width	Inside Height	Inside Width	Front panel blank size	Rear panel blank size	Front panel	Rear panel
H		L	h	l	B×A	D×C	m	n
2U	42	235	68	218	213×85	213×86	78	78
2U	63	342	68	325	320×85	320×86	78	78
2U	84	449	68	432	427×85	427×86	78	78
3U	42	235	113	218	213×130	213×131	123	123
3U	63	342	113	325	320×130	320×131	123	123
3U	84	449	113	432	427×130	427×131	123	123
4U	42	235	157	218	213×174	213×175	167	167
4U	63	342	157	325	320×174	320×175	167	167
4U	84	449	157	432	427×174	427×175	167	167

Depth Chart

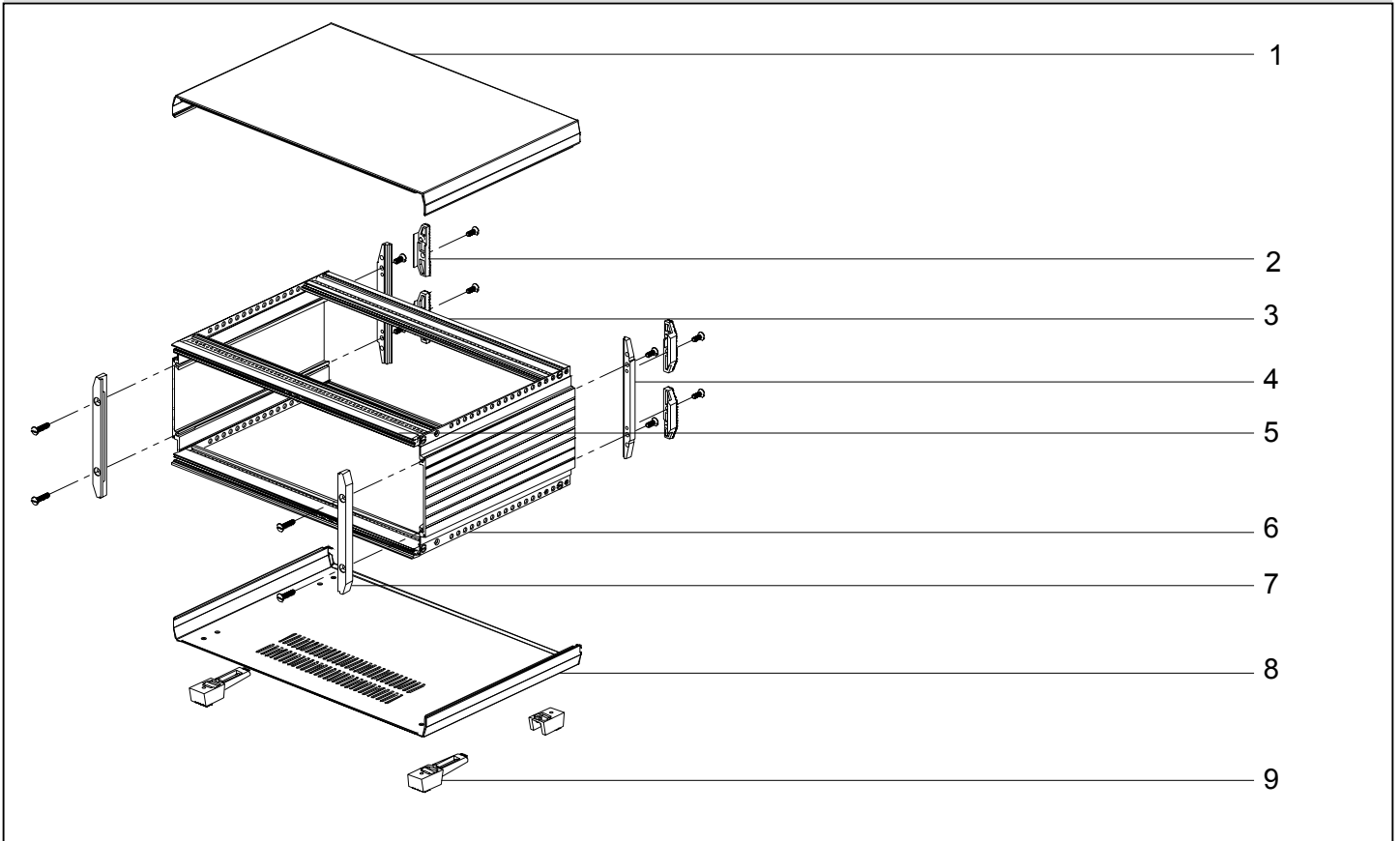


Overall Depth	Interior Depth
T	t
180	167
240	227
300	287
320	307
360	347



Note: Custom depth available

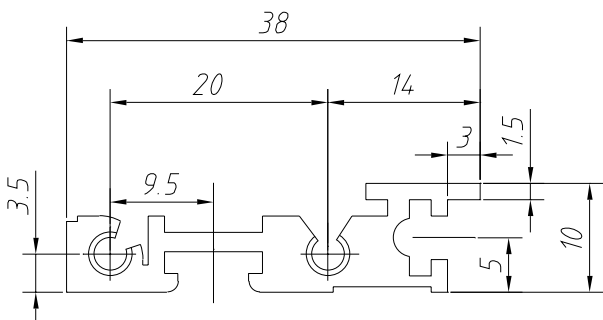
Standard configuration



ITEM	PART	QTY	DESCRIPTION
1	Top cover	1	1mm Aluminium sheet, powder-coated
2	Rear foot	4	Moulded in ABS, choice of four types
3	Rear rail	2	Aluminium extrusion, clear anodized, pre-punched holes for card guide
4	Rear trim	2	Aluminium extrusion, powder-coated
5	Front rail	2	Aluminium extrusion, powder-coated, pre-punched holes for card guide
6	Side plate	2	Aluminium extrusion, powder-coated
7	Front trim	2	Aluminium extrusion, powder-coated
8	Bottom cover	1	1mm Aluminium sheet, powder-coated, with two array of vent holes
9	Bottom foot	4	Moulded in PC, with rubber pad, including 2 pcs of supporting foot

Extrusions

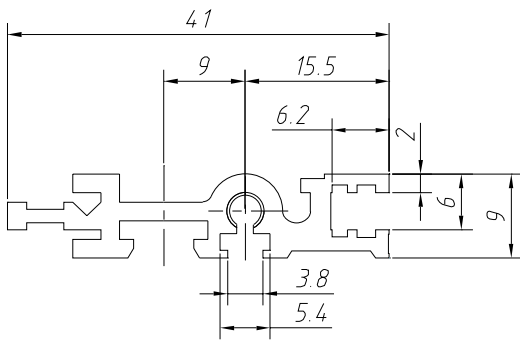
Front rail



Length table			
HP	42	63	84
Length(mm)	218	325	432

- Material: Aluminum extrusion
- Powder-coated
- With or without pre-punched holes for card guide available

Rear rail

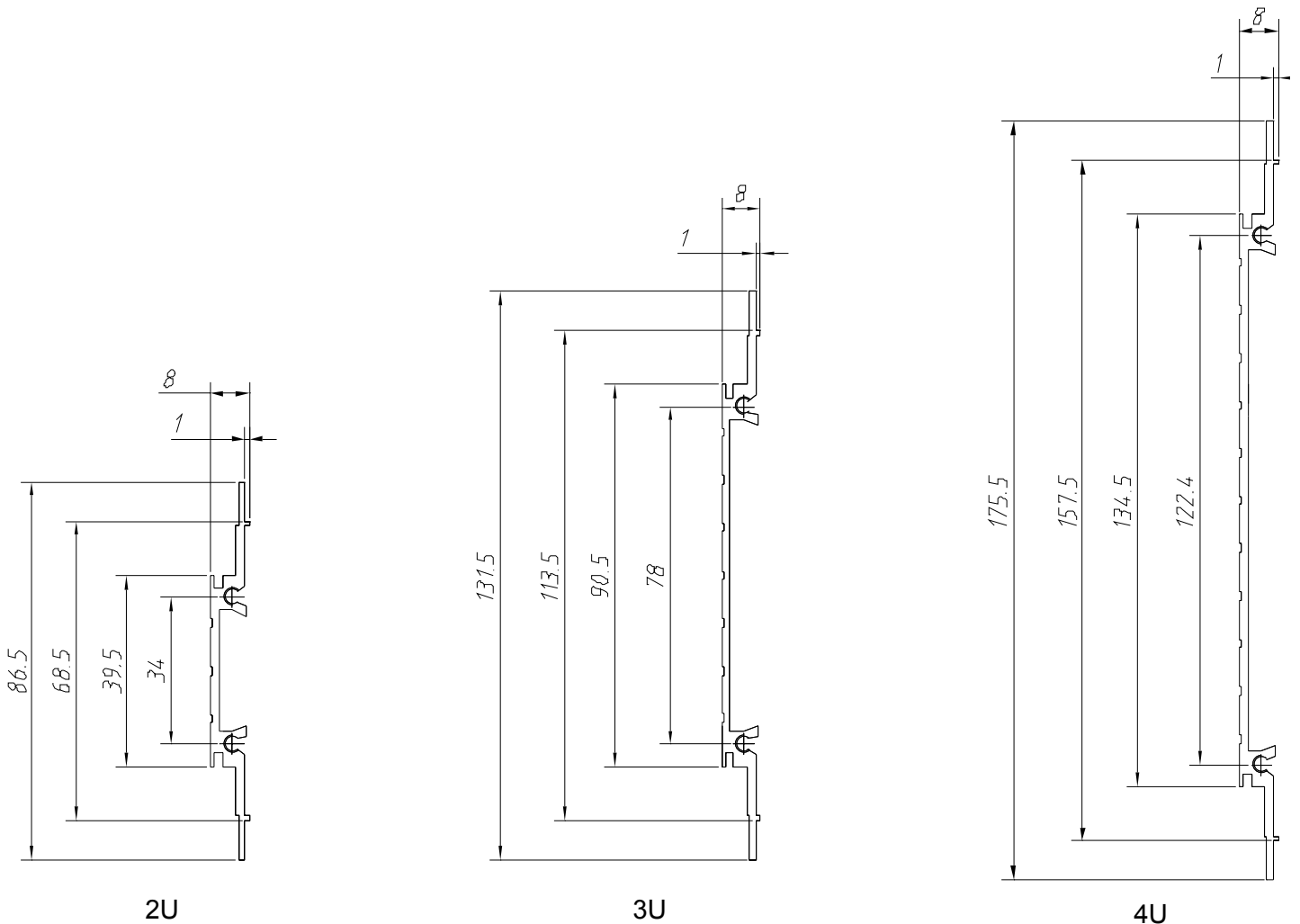


Length table			
HP	42	63	84
Length(mm)	218	325	432

- Material: Aluminum extrusion
- Clear anodized
- With or without pre-punched holes for card guide available

Side plate

- Material: Aluminum extrusion
- Optional depth according to case size
- Powder-coated
- Pre-punched holes for mounting side mounting plate or additional horizontal rail



Optional Accessories

Bottom mounting plate

- Material: 1.5mm or 2mm Aluminum sheet
- Choices of two style (style A and style B)
- Fixing onto front rail and rear rail for style A
- Fixing onto two side plate for style B

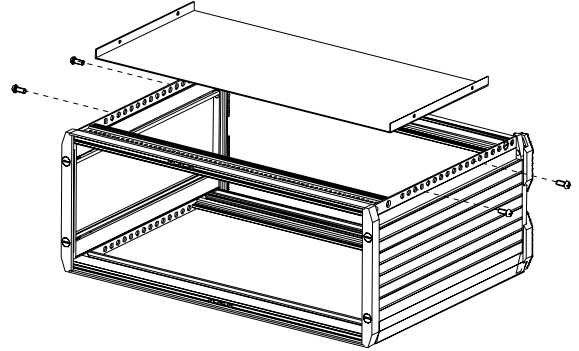
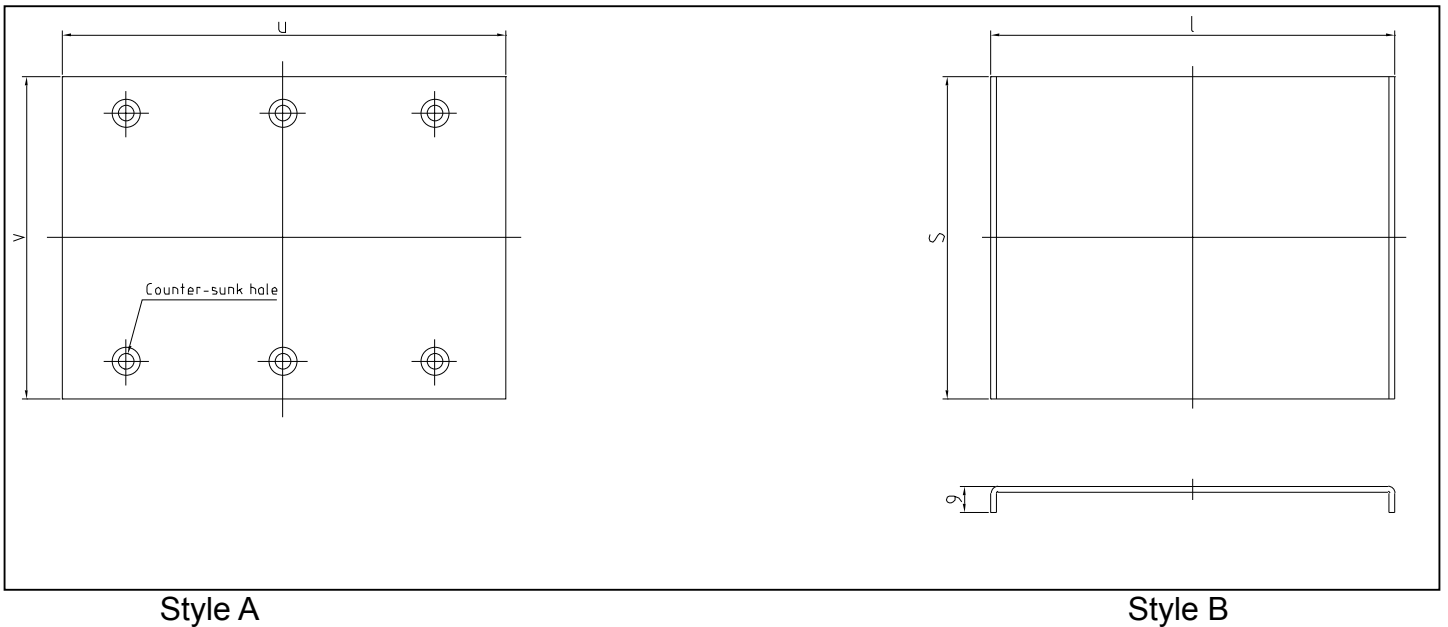


Illustration for style B



Style A

Style B

Demensions chart

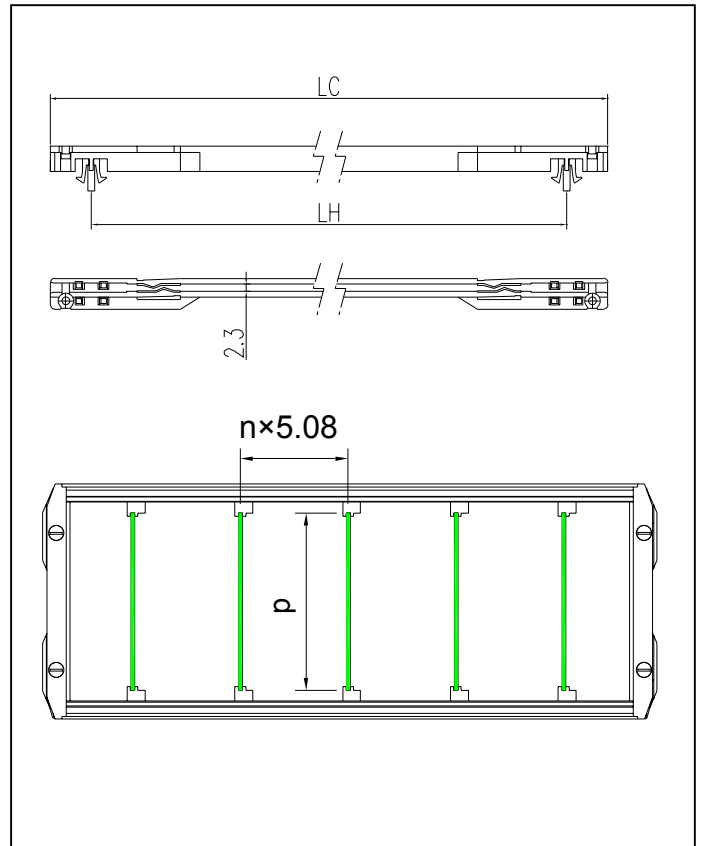
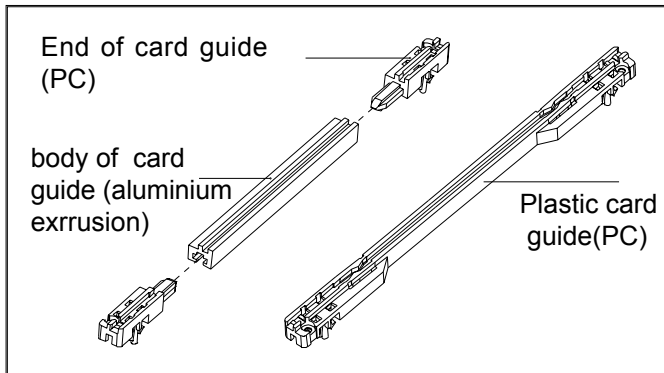
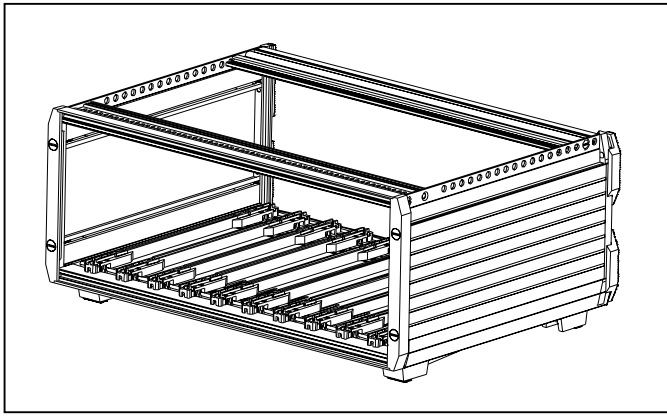
Chart 1 (For style A) $u(\text{mm}) \times v(\text{mm})$

Width T	42HP	63HP	84HP
180mm	215×164	322×164	429×164
240mm	215×224	322×224	429×224
300mm	215×284	322×284	429×284
320mm	215×304	322×304	429×304
360mm	215×344	322×344	429×344

Chart 2 (For style B) $l(\text{mm}) \times s(\text{mm})$

Width T	42HP	63HP	84HP
180mm	218×93	325×93	432×93
240mm	218×153	325×153	432×153
300mm	218×213	325×213	432×213
320mm	218×233	325×233	432×233
360mm	218×273	325×273	432×273

Card guide

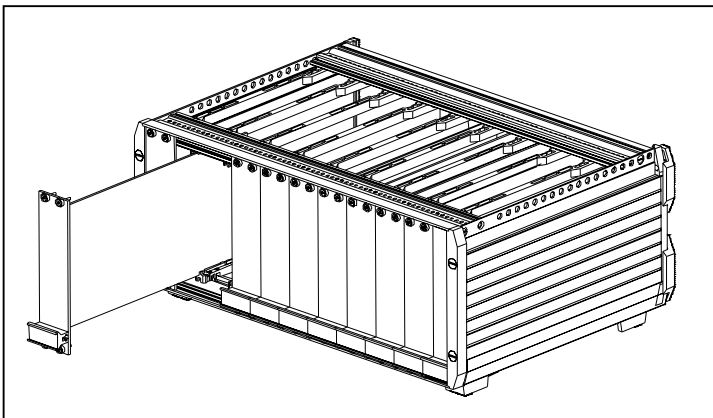


Length of plastic card guide		
LC(mm)	143	210
LH(mm)	123	183

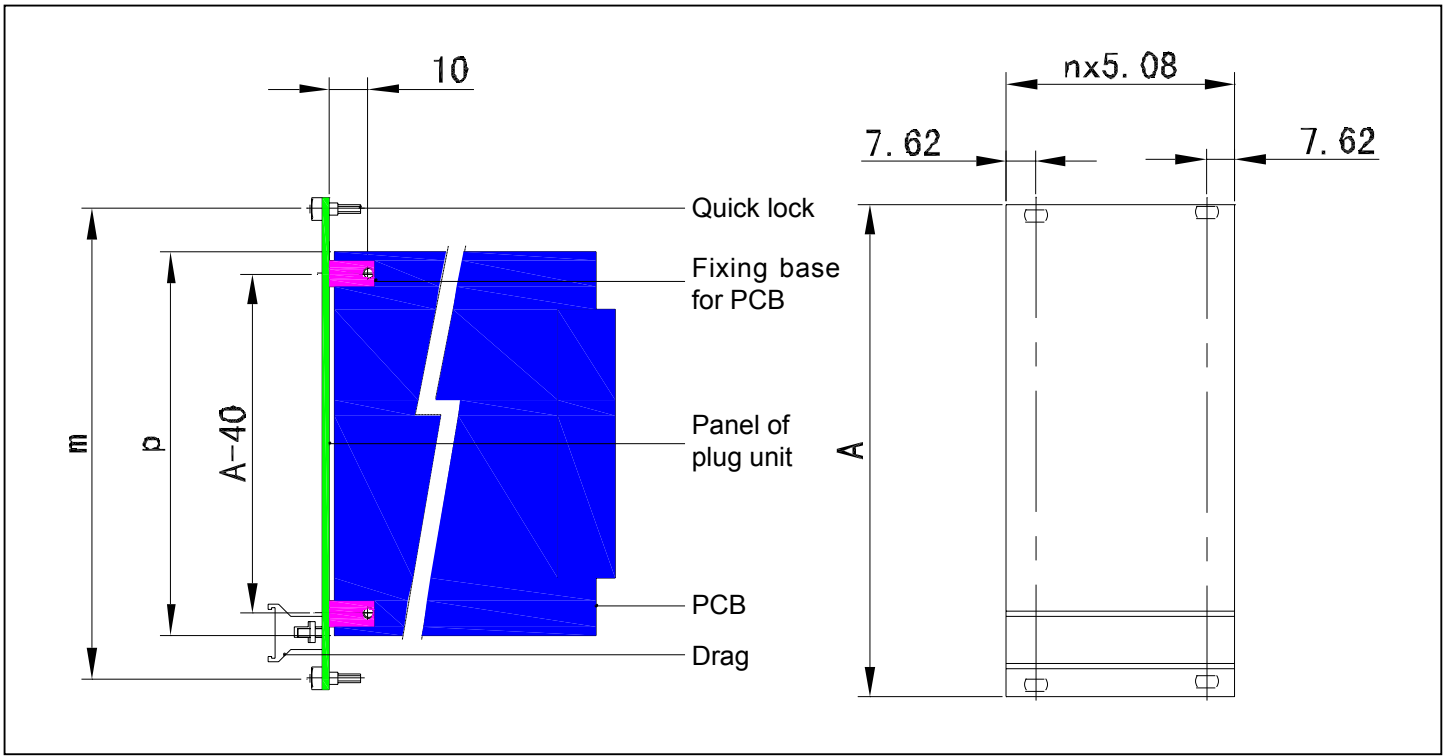
Height of PCB			
H	2U	3U	4U
P(mm)	56	101	145

- Choices of two style of card guide (plastic or aluminum extrusion)
- moulded in PC for plastic card guide
- Optional length for aluminum extrusions card guide
- Suitable for 1.6mm to 2.0mm nominal thickness
- Custom colors available

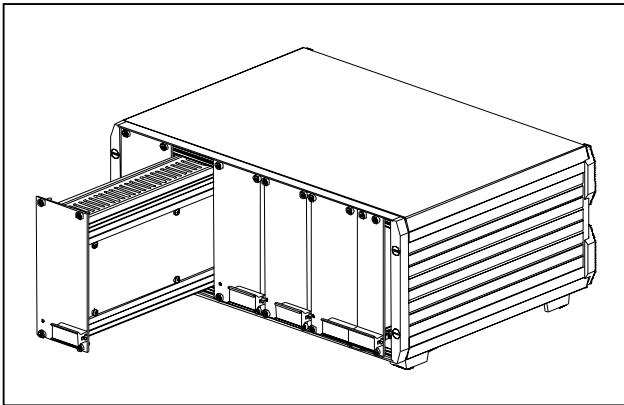
Panel of plug-in unit



- Material :2mm aluminium sheet ,Clear anodized
- Quick locks screw into the slide nuts plugged in front rail or rear rail
- With "V" drag
- Optional size of panel, also cut-outs in the panel available on request
- The dimension in the below ,A-40, shows the fixing points for PCB's vertical space

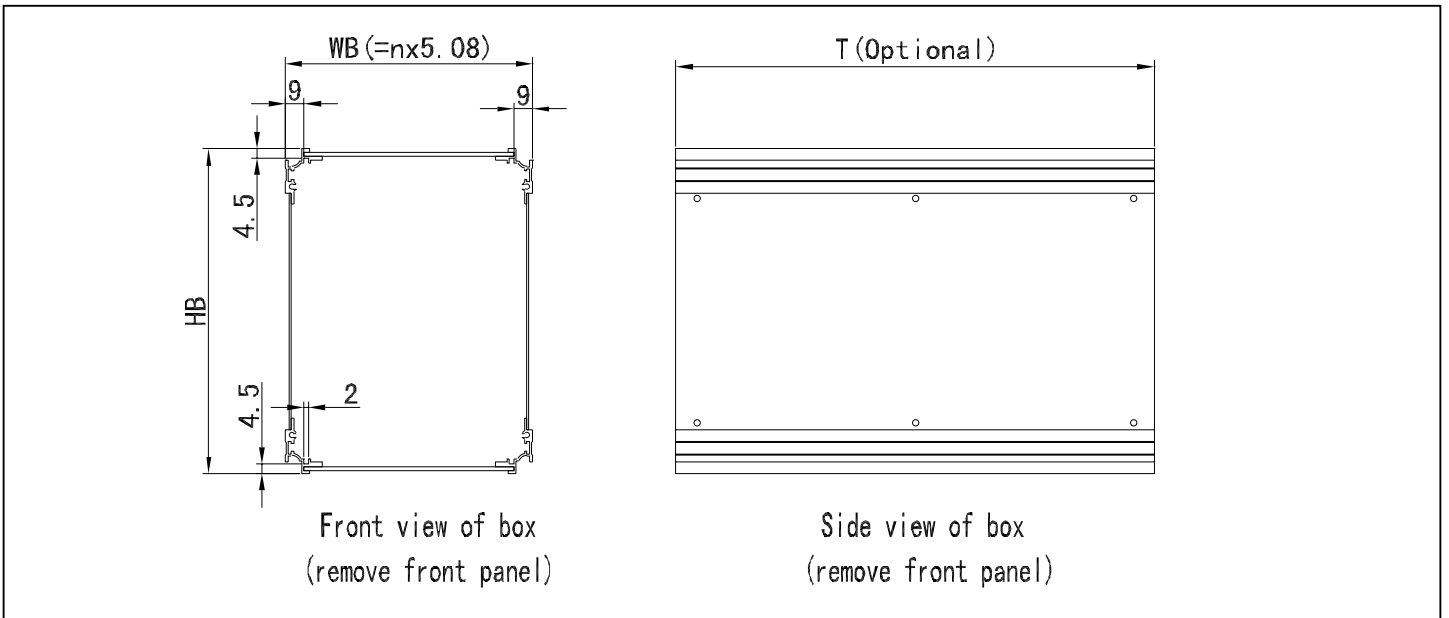


Box of plug-in unit

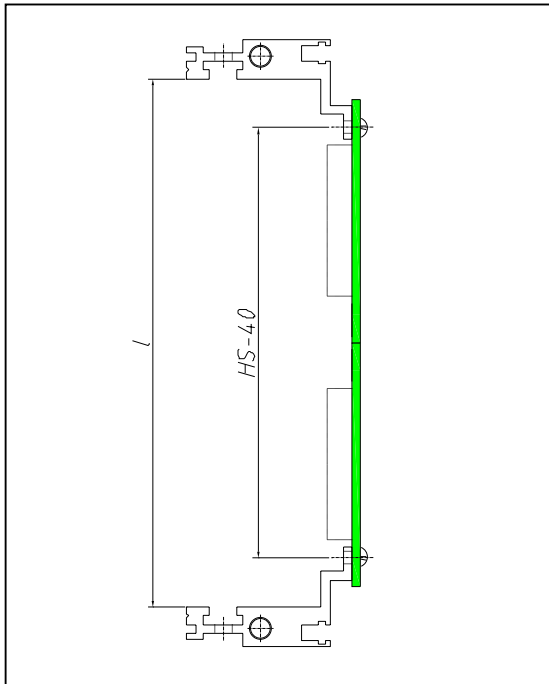
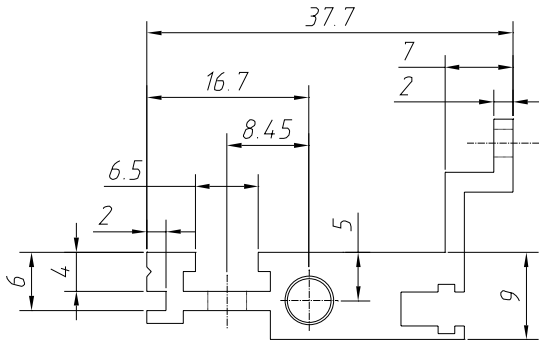


Dimensions chart for box

H	2U	3U	4U	5U	6U
HB(mm)					

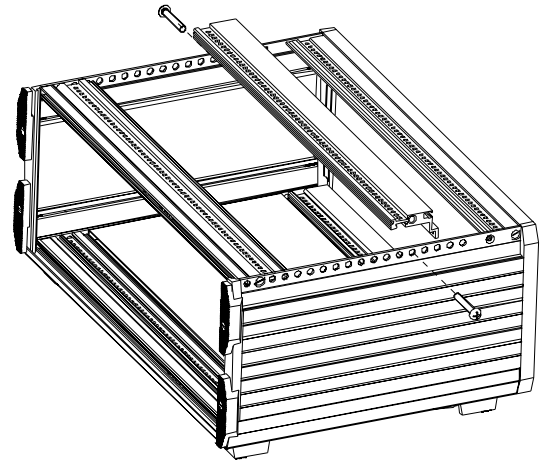


Mid-Rail

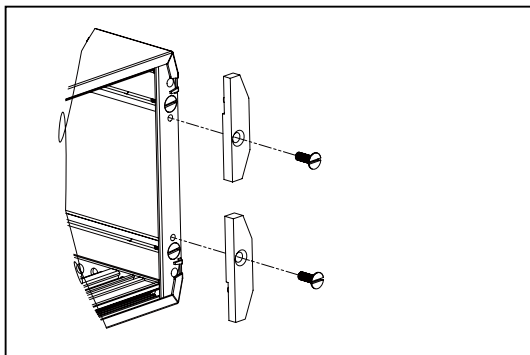


Length table			
HP	42	63	84
Length(mm)	218	325	432

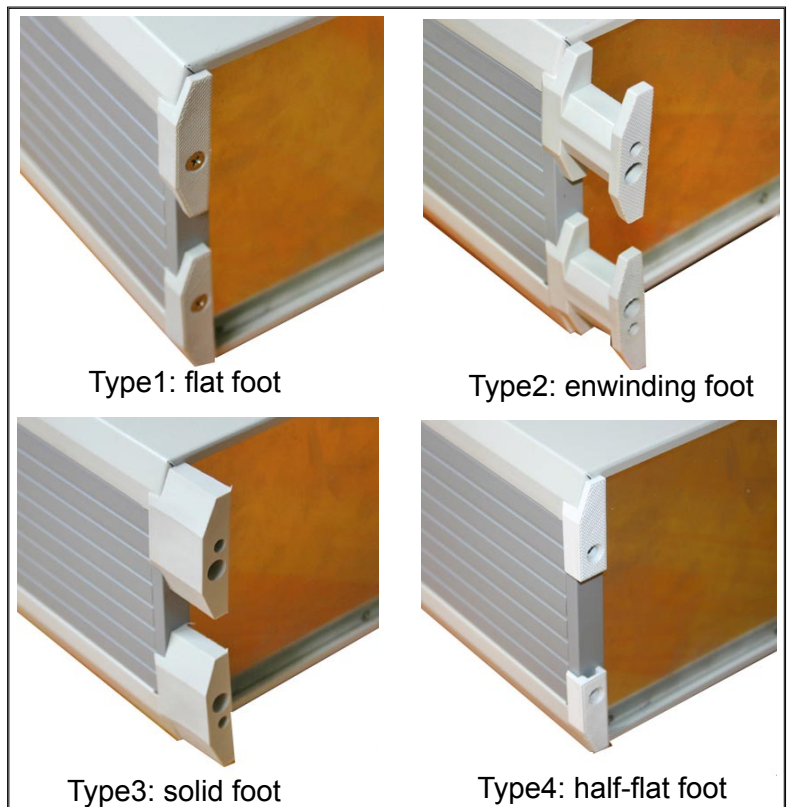
- Material: Aluminum extrusion
- Clear anodized
- With or without pre-punched holes for card guide available
- suitable for installation of backplanes



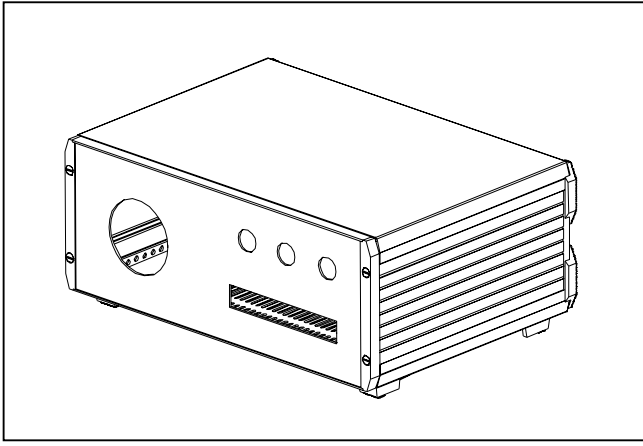
Rear foot



- Moulded-in ABS
- Choice of four types of rear foot



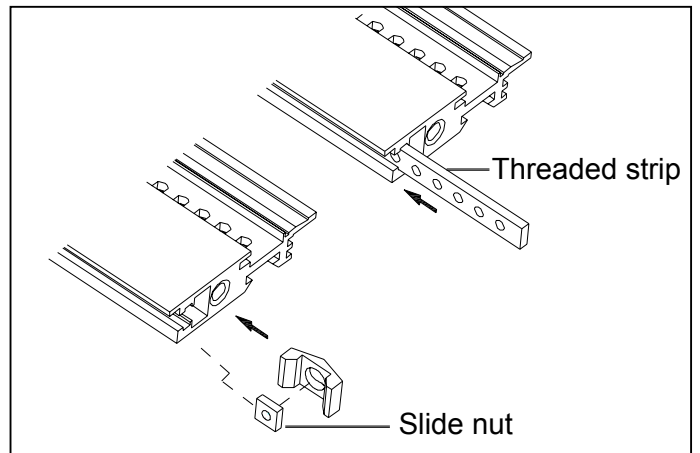
Panel



- Material: 2mm Aluminum sheet
- Clear anodized available
- Refer to page 1 for the dimensions of front and rear panel
- Cut-outs in the front and rear panel available

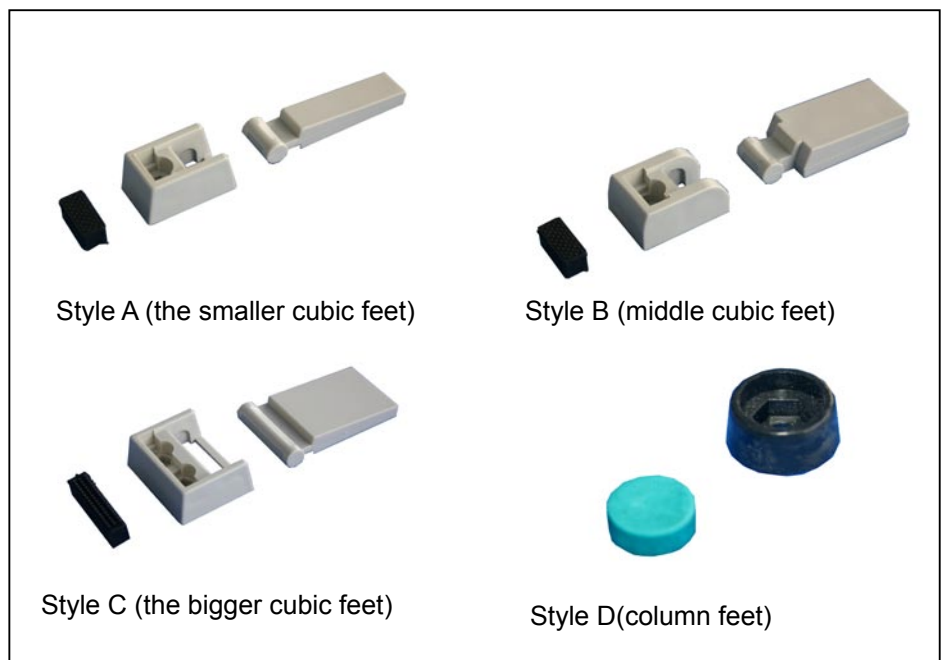
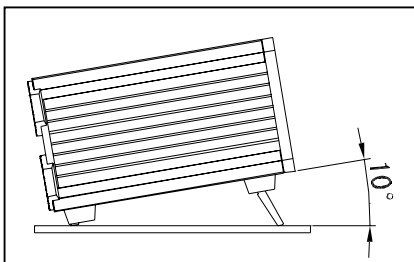
Threaded strip

- Material: Stainless steel
- With threaded holes (pitch of 5.08mm)
- Replacement of slide nuts as standard version
- For mounting front or rear panel



Bottom feet

- Material: PC
- Choices of four style
- Style A as standard version



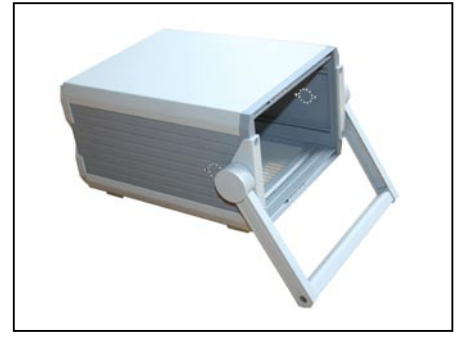
Handle



Model: T1



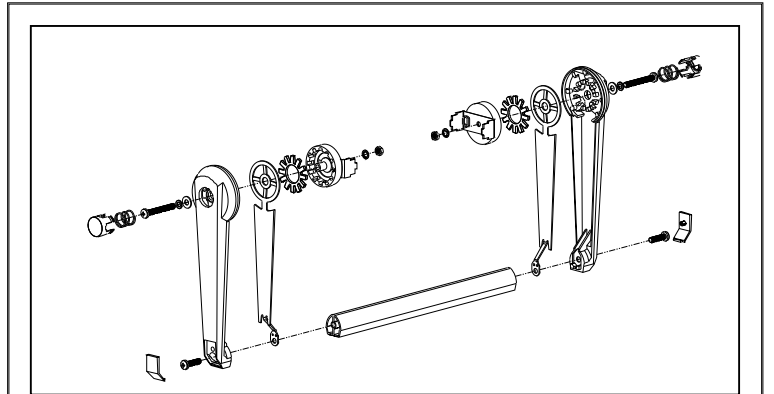
Model: T2



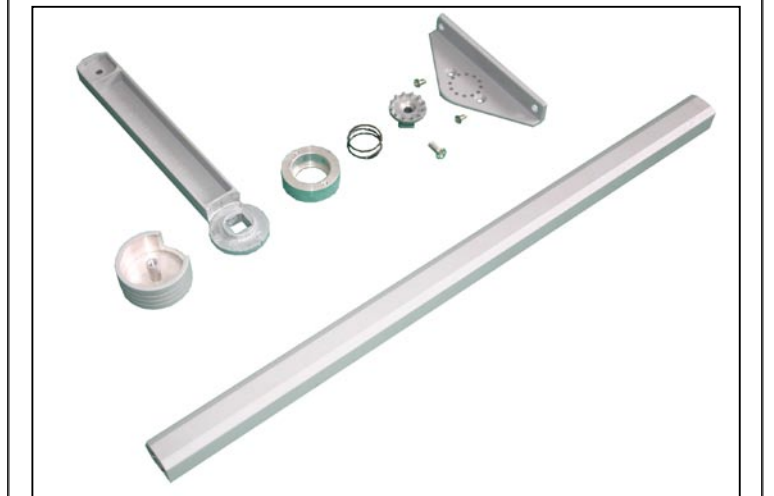
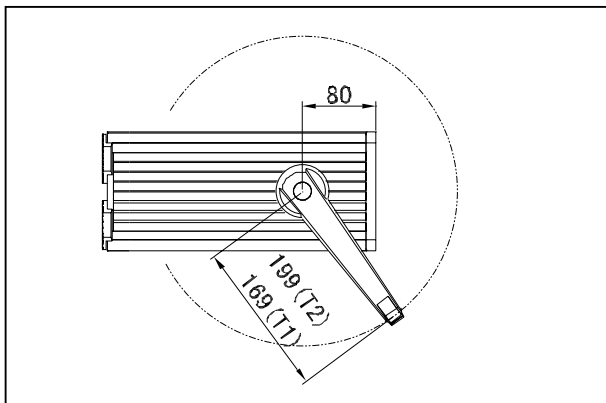
Model: T3



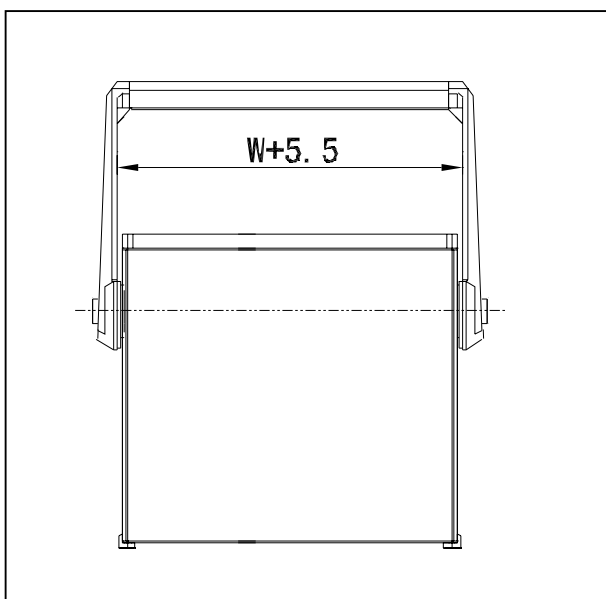
Model: T3



Explode view for T1 or T2



Explode view for T3



- Choice of three models of handle
- Can be revolved about the axis as left drawing every other 30 degree
- Bearing capability of 30kg
- The model for enclosure with handle is 01F

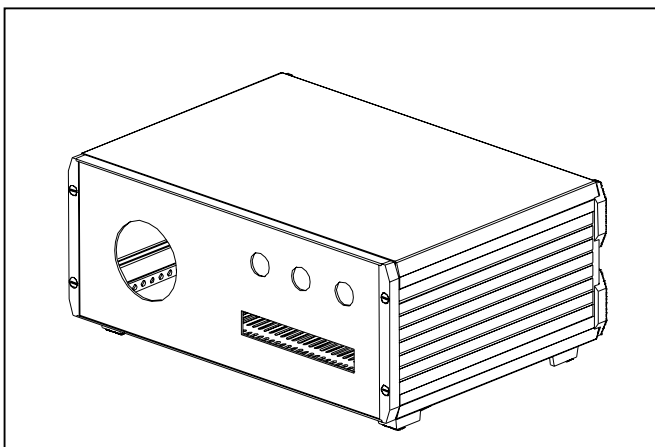
Customization services



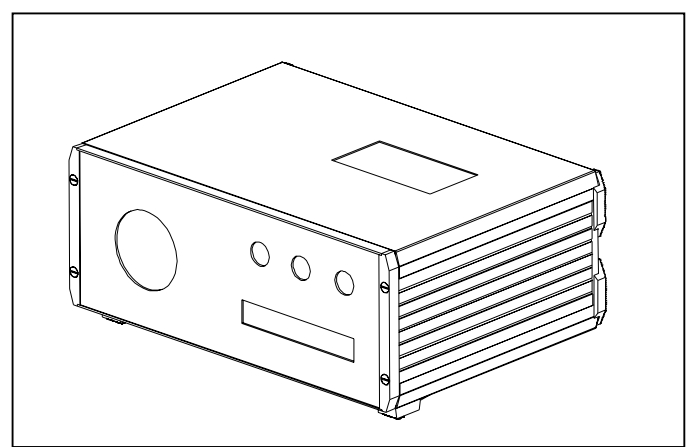
Customization of The bigger size enclosures (from 5U to 8U) The details for dimensions as following chart. See page 1 for definitions of different dimensions

Height/Width Chart

Exterior size			Interior size		Panel size	Panel mounting size
Height of side plate	Length of horizontal rail (HP)	Overall width	Inside Height	Inside Width		
H(mm)			L(mm)	h(mm)	l(mm)	B(mm)×A(mm)
5U	42	235	202	218	213×219	212
5U	63	342	202	325	320×219	212
5U	84	449	202	432	427×219	212
6U	42	235	246	218	213×263	256
6U	63	342	246	325	320×263	256
6U	84	449	246	432	427×263	256
7U	42	235	291	218	213×308	301
7U	63	342	291	325	320×308	301
7U	84	449	291	432	427×308	301
8U	42	235	335	218	213×352	345
8U	63	342	335	325	320×352	345
8U	84	449	335	432	427×352	345



Cut-outs in the front and rear panel



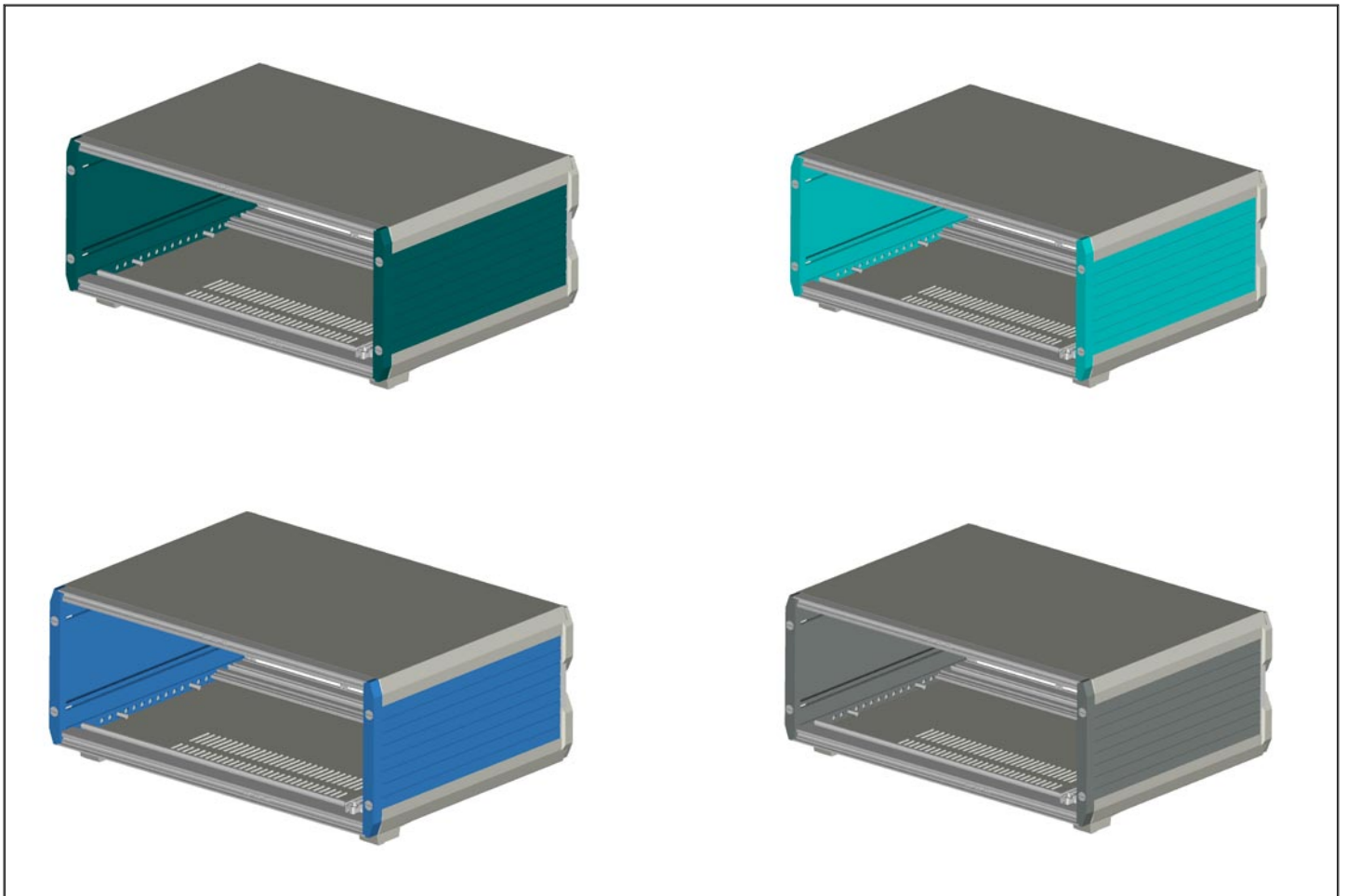
Cut-outs or special vent holes in the top and bottom cover



Cut-outs or special vent holes in the side plate



Mounting handle on the front trim for the bigger sizes enclosure



Specify the non-standard colors (you may provide us with the card of your desired color) refer to our web site for the standard version

How to order

It is very simple ordering 01C/01D series enclosures of Changhe
Just pick up the phone and call your local Changhe office (View our web site <http://www.enclosures.com.cn> to get the address of Changhe enclosures, also dial us at 86-574-63028237)

- inform us the model of your enclosure to order
- Inform us the desired overall height(H), overall width(W) and depth(T)
* see the chart on page 1 for definitions of H, W and T
- Optional accessories should be separately ordered
- You must specify the model of handle for 01F (without handle for 01F)
- Specify us your desired color of enclosure
*see our website to view various of colors configuration
- You should send us the drawing if you require secondary tooling or other cut-outs

Example : Model:01F

case size: 3U×42HP×300mm

handle: T2

colors: case 2

Accessories: 20 pieces of 210mm plastic card guide



长河机箱

Ningbo Dayang enclosures Co., Ltd.

Economic development zone, changchizhi

Road, Cixi city, Zhejiang province, China

Tel: 86-574-63028237

Fax: 86-574-63028372

Website:<http://www.enclosures.com.cn>