

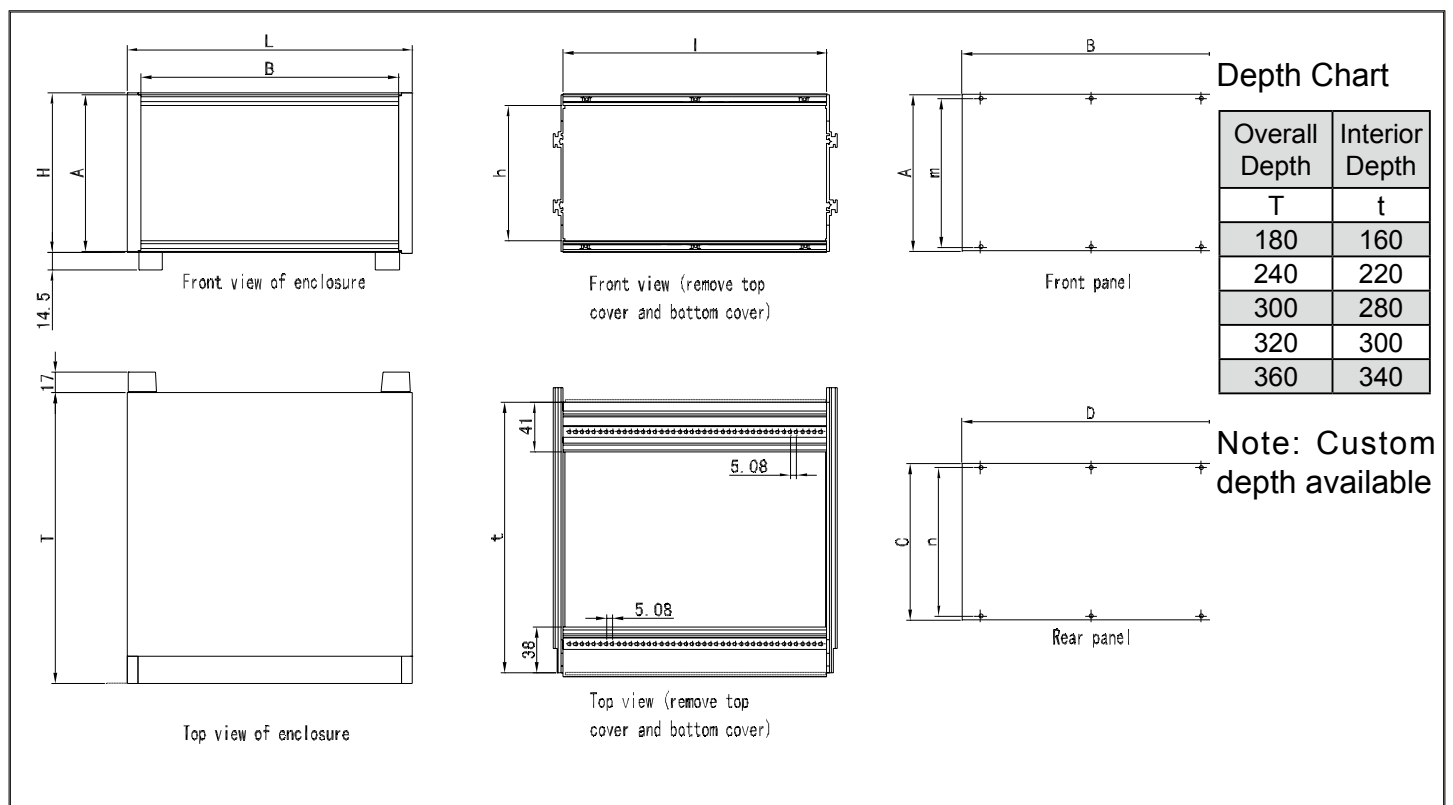
01L series



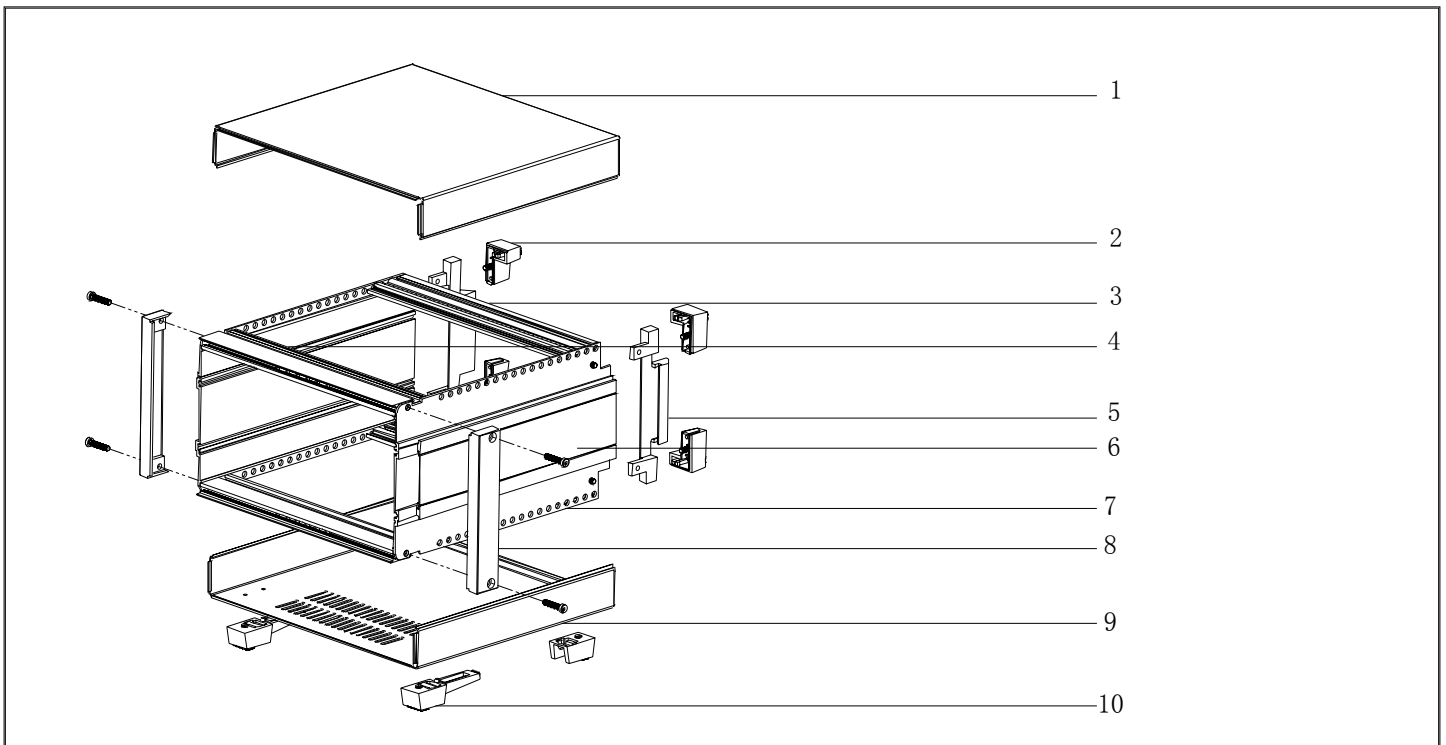
- Aluminum construction
- Top and bottom cover spaired plastic
- simple assembly
- Custom colors available
- Wide range of enclosure size
- Special assembly sevicees

Height/Width Chart

Exterior size			Interior size		Panel size		Panel mounting size	
Overall Height	HP	Overall width	Inside Height	Inside Width	Front panel blank size	Rear panel blank size	Front panel	Rear panel
H		L	h	l	B×A	D×C	m	n
2U	42	236	68	218	214×85	213×85	77.5	77.5
2U	63	343	68	325	321×85	320×85	77.5	77.5
2U	84	450	68	432	428×85	427×85	77.5	77.5
3U	42	236	113	218	214×129	213×129	121.5	121.5
3U	63	343	113	325	321×129	320×129	121.5	121.5
3U	84	450	113	432	428×129	427×129	121.5	121.5
4U	42	236	157	218	214×174	213×174	166.5	166.5
4U	63	343	157	325	321×174	320×174	166.5	166.5
4U	84	450	157	432	428×174	427×174	166.5	166.5



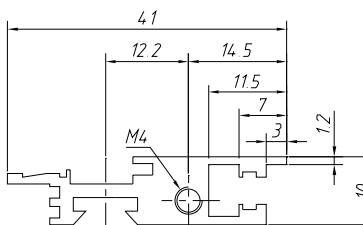
Standard configuration



ITEM	PART	QTY	DESCRIPTION
1	Top cover	1	1mm Aluminium sheet, spary plastic
2	Rear foot	2	Moulded in PC, with rubber pad
3	Rear horizontal rail	2	Aluminium extrusion, pre-punched holes for card guide
4	Front horizontal rail	2	Aluminium extrusion, pre-punched holes for card guide
5	Rear trim	2	Diecast aluminium, spary plastic
6	Decorative panel	2	Aluminium sheet, spary plastic, with or without vent holes available
7	Side plate	2	Aluminium extrusion, pre-punched holes for additional rail
8	Front trim	2	Diecast aluminium, spary plastic
9	Bottom cover	1	0.8mm Aluminium sheet, spary plastic, with two array of vent holes
10	Bottom foot	4	Moulded in PC, with rubber pad, including 2 pcs of supporting foot

Extrusions

Front horizontal rail



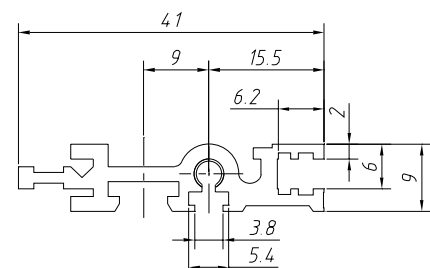
Length table			
HP	42	63	84
Length(mm)	218	325	432

- Material: Aluminum extrusion
- Spary plastic
- With or without pre-punched holes for card guide available

Rear horizontal rail

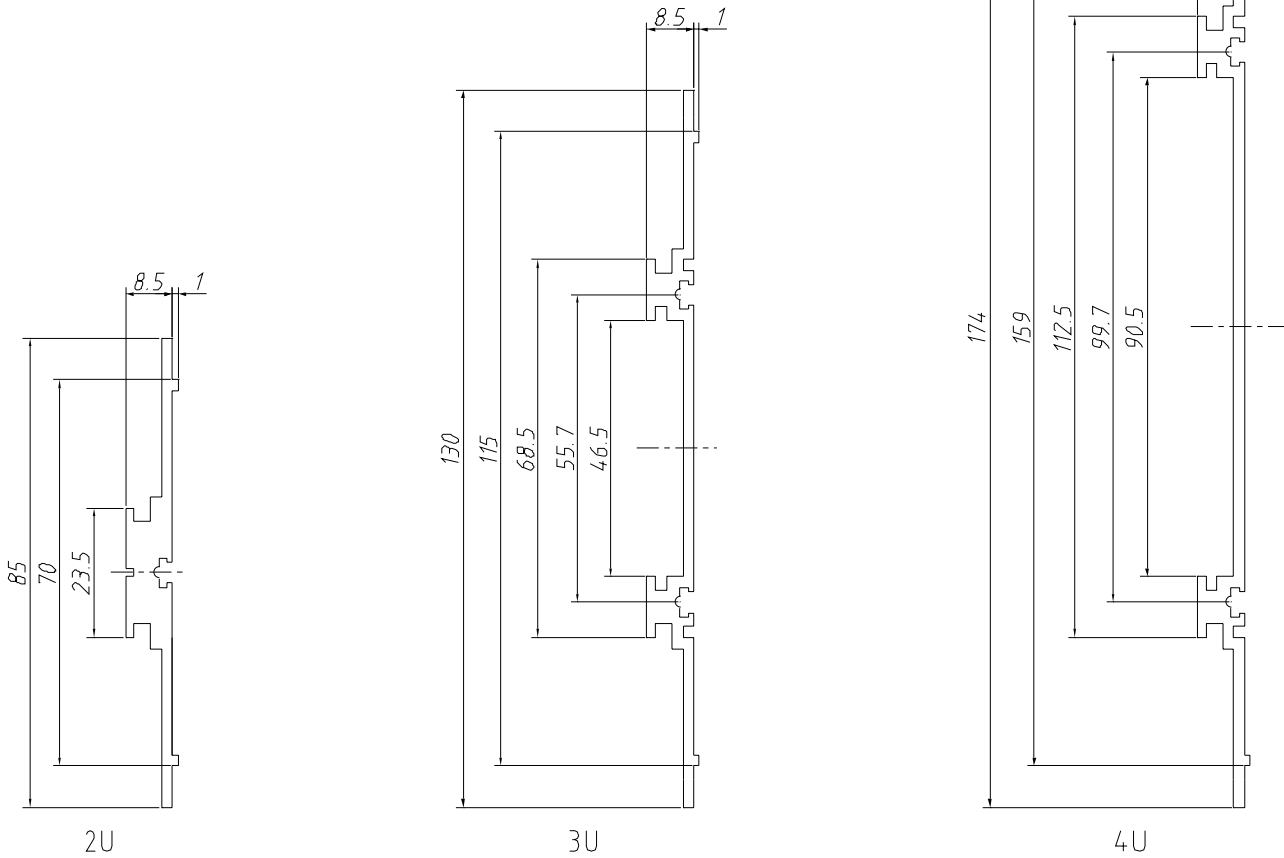
Length table			
HP	42	63	84
Length(mm)	218	325	432

- Material: Aluminum extrusion
- Spary plastic
- With or without pre-punched holes for card guide available



Side plate

- Material: Aluminum extrusion
- Optional depth according to case size
- Spary plastic
- Without decorative panel for 2U height
- Pre-punched holes for mounting side mounting plate or additional horizontal rail



Optional Accessories

Referring to 01A for optional accessories of 01L

Customization services

Referring to 01A for Customization services of 01L

How to order

It is very simple ordering 01L series enclosures of Changhe
Just pick up the phone and call your local Changhe office (View our web site <http://www.enclosures.com.cn> to get the address of Changhe enclosures, also dial us at 86-574-63028237)

- inform us the model of your enclosure to order
- Inform us the desired overall height(H), overall width(W) and depth(T)
 - * see the chart on page 1 for definitions of H, W and T
- Optional accessories should be separately ordered
- Specify us your desired color of enclosure
 - *see our website to view various of colors configuration
- You should send us the drawing if you require secondary tooling or other cut-outs

Example : Model:01L

case size 3U×42HP×300mm

colors: case 2

Accessories: 20 pieces of 210mm plastic card guide



长河机箱

Ningbo Dayang enclosures Co., Ltd.

Economic development zone, changchizhi
Road, Cixi city, Zhejiang province, 315326, China

Tel: 86-574-63028237

Fax: 86-574-63028372

Website: <http://www.enclosures.com.cn>