

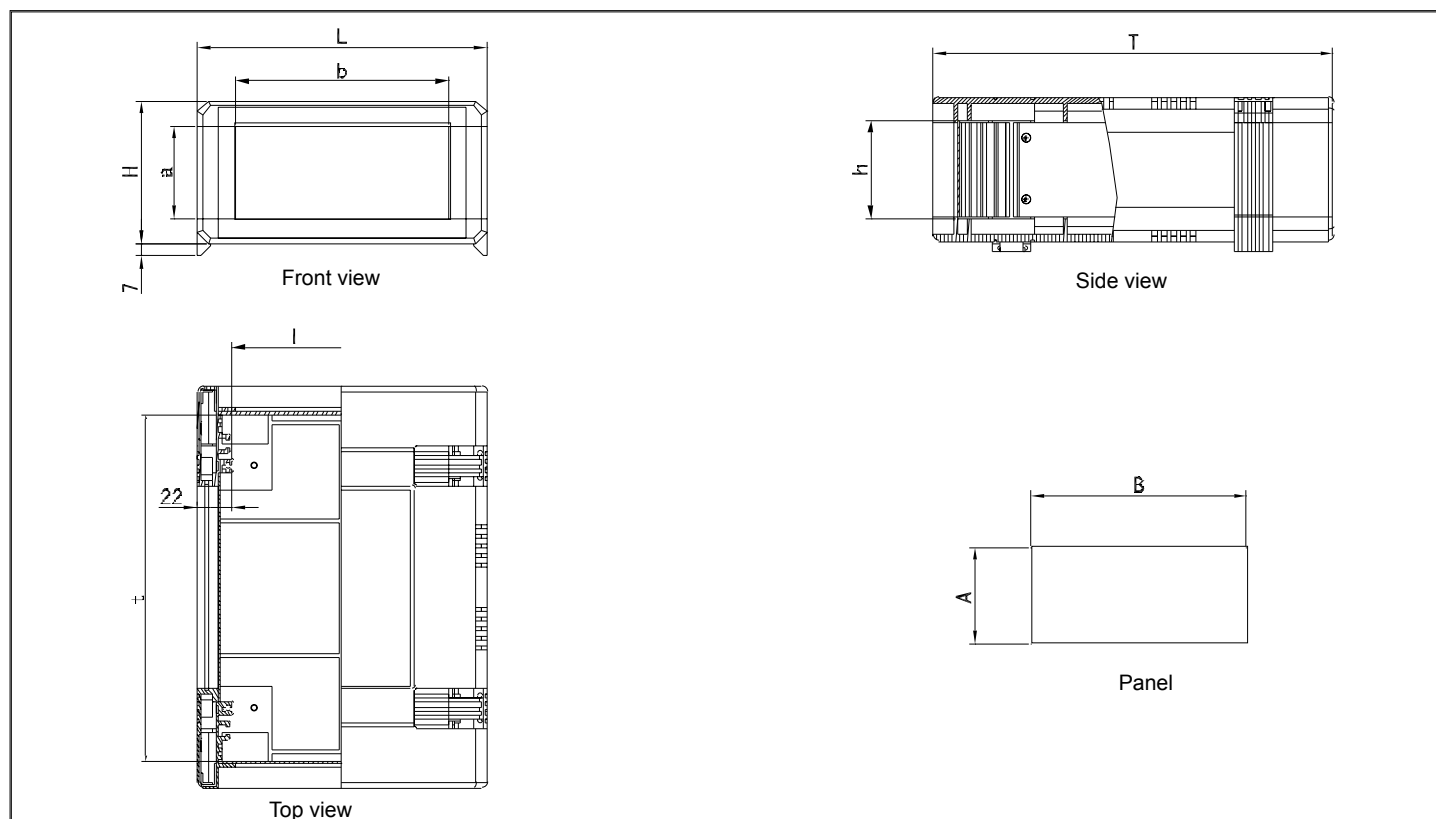
02A series



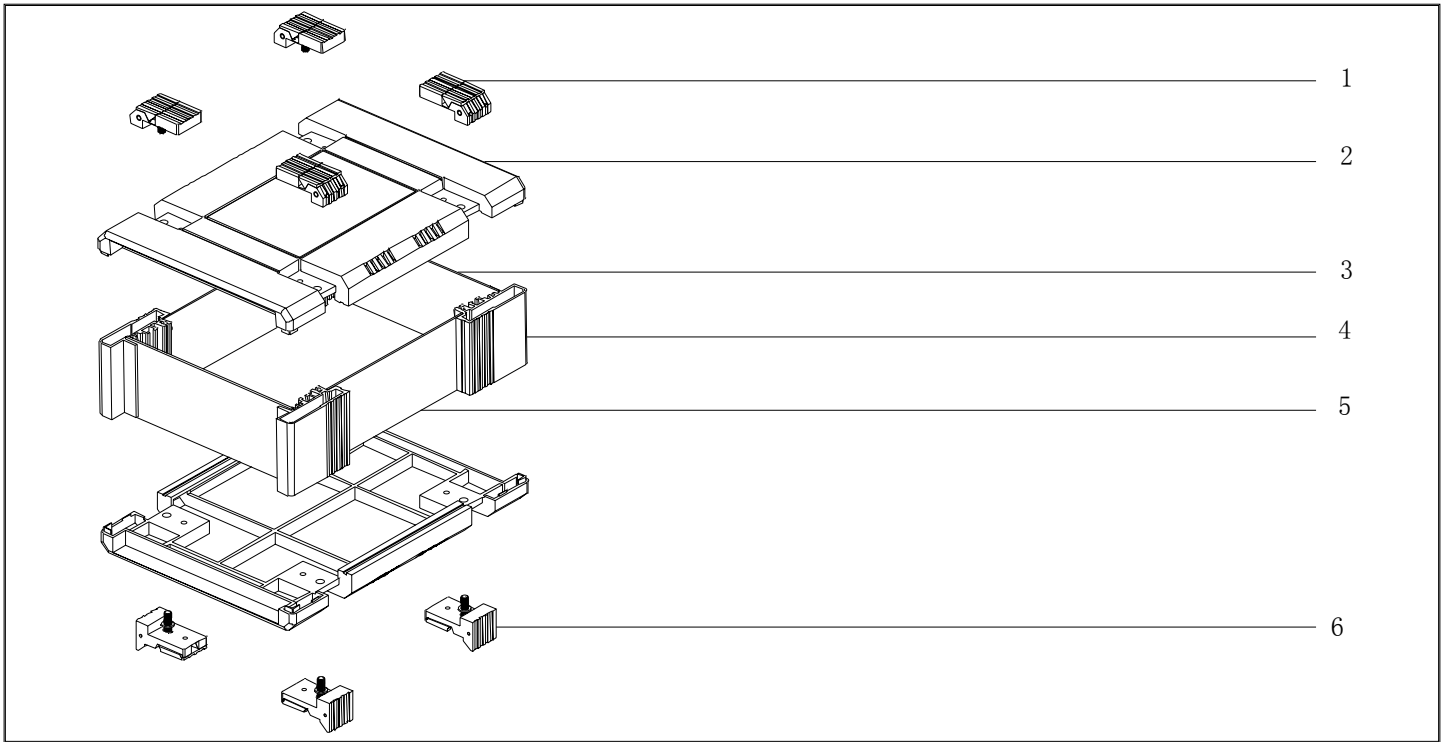
- Choices of four types of plastic cover
- Multiple cases stacking
- Optional case height
- Simple assembly
- Custom colors available
- With handle available
- Special assembly services

Height/Width/Depth Chart

Model	Exterior size			Interior size			Panel size			
	Overall height	Overall width	Overall depth	Inside height	Inside width	Inside depth	Blank size		Useable size	
	H	L	T	h	l	t	B	A	b	a
02A-1-1	2U	280	300	62	236	264	254	61	58	231.5
02A-1-2	3U	280	300	107	236	264	254	106	103	231.5
02A-1-3	4U	280	300	151	236	264	254	150	147	231.5
02A-1-4	5U	280	300	196	236	264	254	195	192	231.5
02A-2-1	2U	360	300	62	316	264	334	61	58	311.5
02A-2-2	3U	360	300	107	316	264	334	106	103	311.5
02A-2-3	4U	360	300	151	316	264	334	150	147	311.5
02A-2-4	5U	360	300	196	316	264	334	195	192	311.5
02A-3-1	2U	440	350	62	396	314	413	61	58	391.5
02A-3-2	3U	440	350	107	396	314	413	106	103	391.5
02A-3-3	4U	440	350	151	396	314	413	150	147	391.5
02A-3-4	5U	440	350	196	396	314	413	195	192	391.5
02A-4-1	2U	180	250	62	136	214	153	61	58	131.5
02A-4-2	3U	180	250	107	136	214	153	106	103	131.5
02A-4-3	4U	180	250	151	136	214	153	150	147	131.5
02A-4-4	5U	180	250	196	136	214	153	195	192	131.5



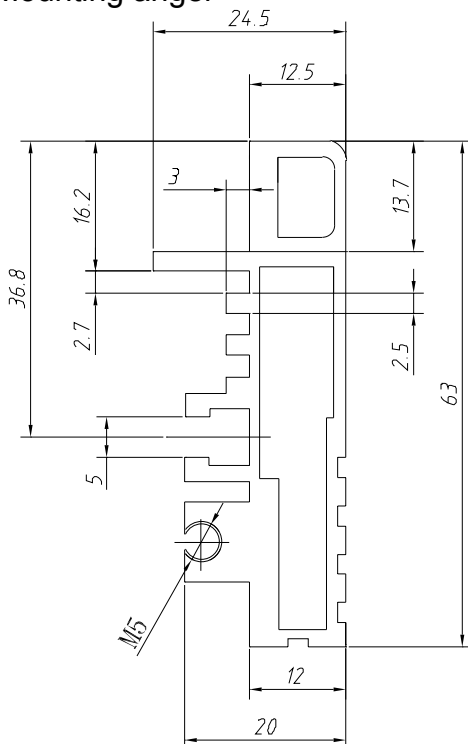
Standard configuration



ITEM	PART	QTY	DESCRIPTION
1	Screw cover	4	Moulded in PC,with mounting screws
2	Plastic cover	2	Moulded in ABS,UL 94-V0 available
3	Panel	2	2mm aluminum sheet
4	Mounting angle	4	Aluminium extrusion,spary plastic
5	Side panel	2	1mm Aluminium shee
6	Case foot	4	Moulded in ABS,with mounting screws

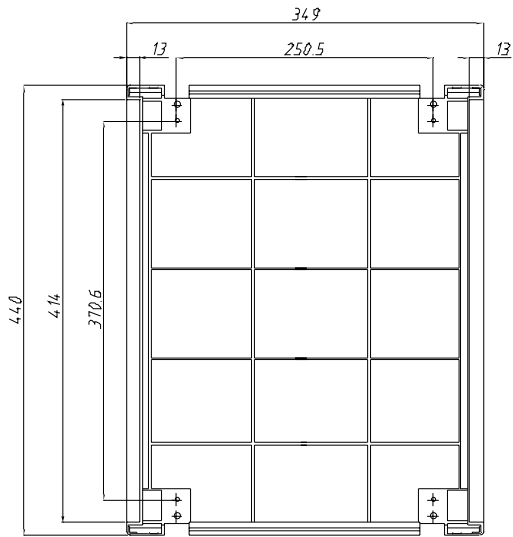
Extrusions

Mounting angel

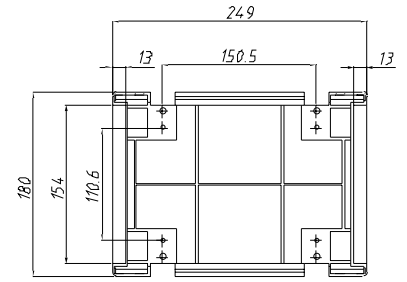


- Material: Aluminum extrusion
- Spary plastic
- Optional height on request

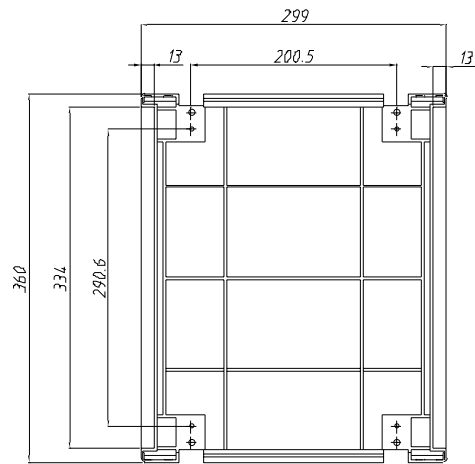
Plastic cover



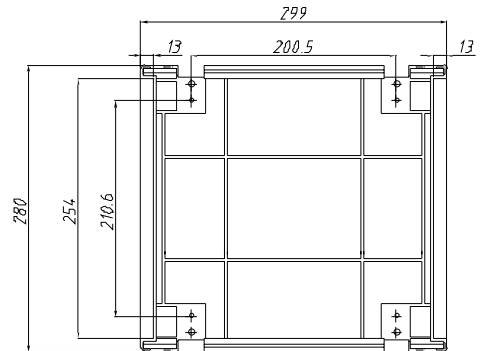
02A-3



02A-4



02A-2

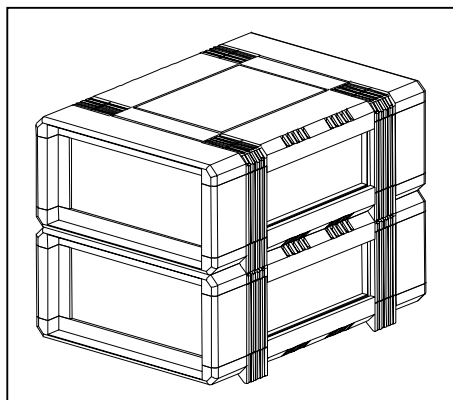


02A-1

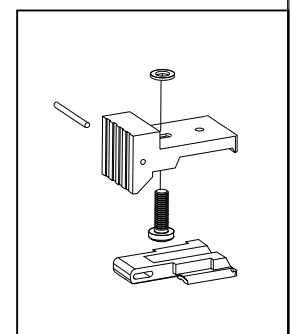
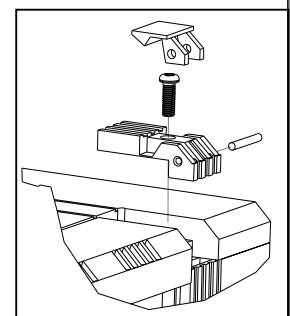
Accessories

Case foot & Screw cover

- Material: PC
- Pre-mounting screws



Provide no-slide stability for multiple cases stacking during storage or transport



Handle

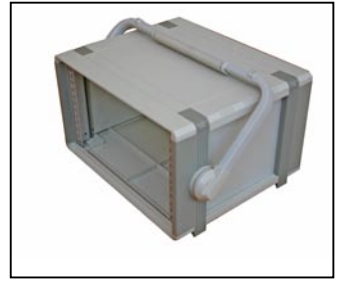
02A series enclosures are available with three types handle



T4/T3



T5



T6

Front handle



How to order

It is very simple ordering 02A series enclosures of Changhe
Just pick up the phone and call your local Changhe office (View our web site <http://www.enclosures.com.cn> to get the address of Changhe enclosures, also dial us at 86-574-63028237)

- inform us the model of your enclosure to order
- Inform us the desired overall height(H), overall width(W) and depth(T)
* see the chart on page 1 for definitions of H, W and T
- Optional accessories should be separately ordered
- Specify us your desired color of enclosure (see our website to view various of colors configuration)
- Specify the model of handle if you need

- You should send us the drawing if you require secondary tooling or other cut-outs

Example : Model:02A-1-1
case size 2U×280mm×300mm
colors: case 2
Handle: T5



长河机箱

Ningbo Dayang enclosures Co., Ltd.

Economic development zone, changchizhi
Road, Cixi city, Zhejiang province, 315326, China
Tel: 86-574-63028237
Fax: 86-574-63028372
Website: <http://www.enclosures.com.cn>